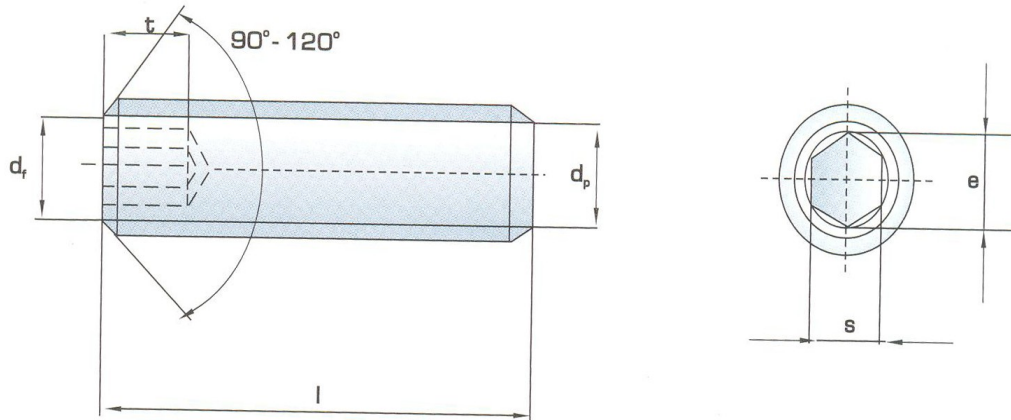


DIN 913 / IS : 6094 -1981 (Type FP) / ISO 4026

Hexagon Socket Set Screws with Flat Point

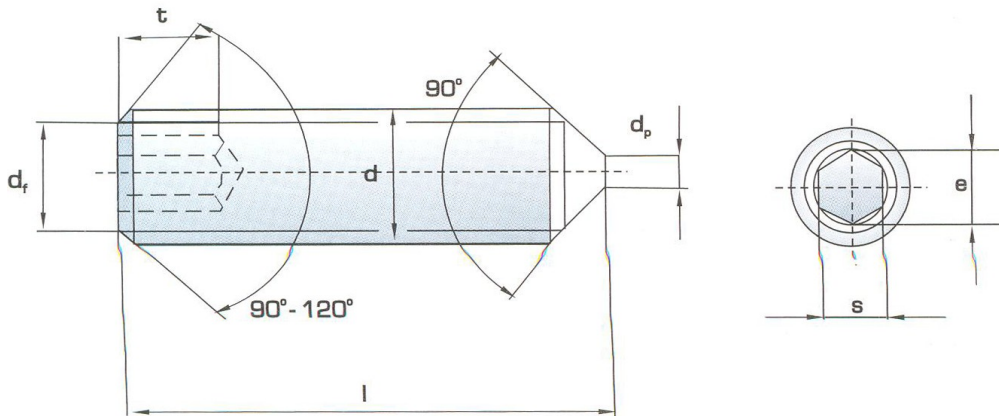


Thread size (d)	M3	M4	M5	M6	M8	M10	M12
Pitch	0.5	0.7	0.8	1.0	1.25	1.5	1.75
e min.	1.73	2.30	2.87	3.44	4.58	5.72	6.86
s min.	1.5	2.00	2.5	3.0	4.0	5.0	6.0
s max.	1.54	2.04	2.56	3.08	4.09	5.09	6.09
t min.	1.2	1.5	2.0	2.0	3.0	4.0	4.8

* All Dimensions in mm

DIN 914 / IS : 6094 -1981 (Type TP) / ISO 4027

Hexagon Socket Set Screws with Cone Point

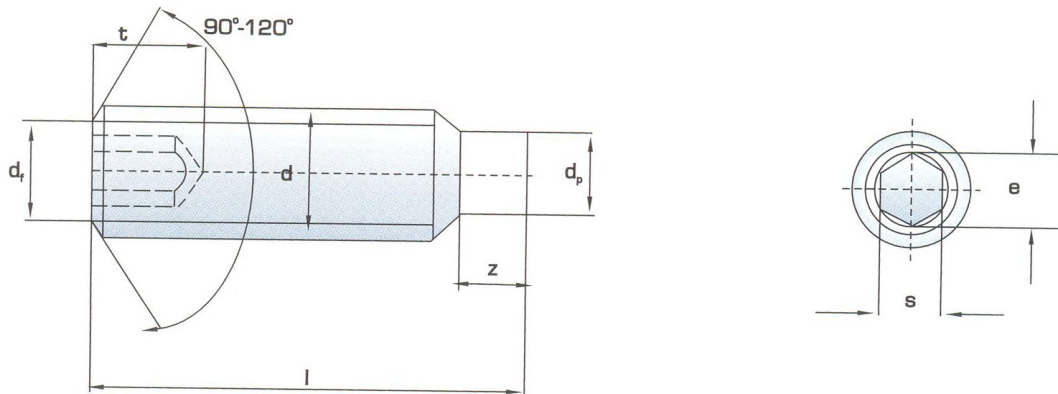


Thread size d	M3	M4	M5	M6	M8	M10	M12
Pitch	0.5	0.7	0.8	1	1.25	1.5	1.75
e min.	1.73	2.30	2.87	3.44	4.58	5.72	6.86
s min.	1.5	2.0	2.5	3.0	4.0	5.0	6.0
s max.	1.54	2.04	2.56	3.08	4.09	5.09	6.09
t min.	1.2	1.5	2	2	3	4	4.5

* All Dimensions in mm

DIN 915 / IS : 6094 -1981 (Type DP) / ISO 4028

Hexagon Socket Screws with Dog Point

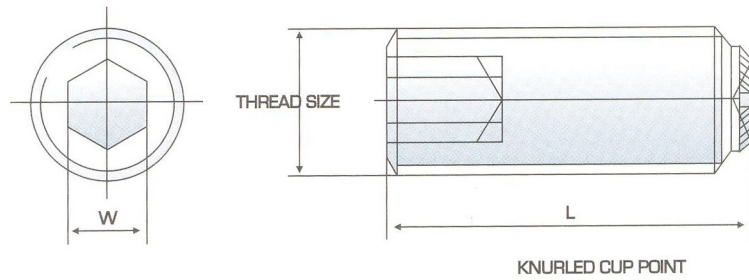


Thread size d	M3	M4	M5	M6	M8	M10	M12
Pitch	0.5	0.7	0.8	1.0	1.25	1.5	1.75
d_p	max.	2.0	2.5	3.5	4.0	5.5	8.5
	min.	1.75	2.25	3.2	3.7	5.2	8.14
e min.	1.73	2.30	2.87	3.44	4.58	5.72	6.86
s	min.	1.5	2.0	2.5	3.0	4.0	6.0
	max.	1.54	2.04	2.56	3.06	4.09	6.09
t min.	1.2	1.5	2.0	2.0	3.0	4.0	4.8
z	min.	0.75	1.0	1.25	1.5	2.0	3.0
	max.	1.0	1.25	1.5	1.75	2.25	3.25

* All Dimensions in mm

BS 2470

Socket Set Screws



Thread size BSW / BSF	W
1/8	1/16
5/32	5/64
3/16	3/32
1/4	1/8
5/16	5/32

* All Dimensions in inch

