

THE PRIMARY SOURCE FOR ELECTRONIC INDUSTRY



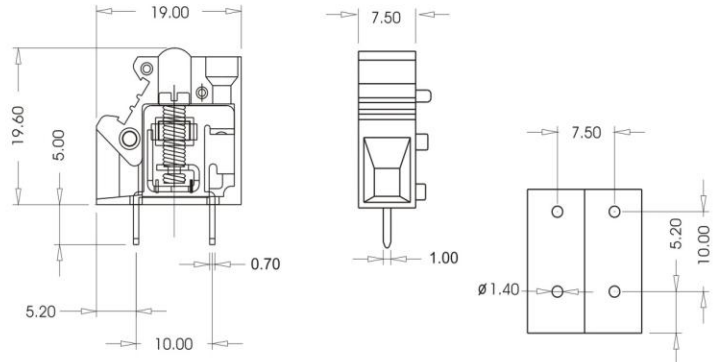
CALYX ELECTRO - MECH

MANUFACTURERS OF : FUSE HOLDERS, TERMINALS, CONNECTORS & SOCKETS

Office : D/1, Anandvan Society, B/h. Angan Towers
Manjalpur, Vadodara. Tel.: 0265 - 6457207

TERMINALS

PUT



SPECIFICATIONS :

INSULATION RESISTANCE - 1,000 Megaohms at 500V DC

DIELECTRIC STRENGTH - 2.5KV, 1 Minute

PITCH - 7.50 X 10 mm

SCREW SIZE - M3

WIRE SIZE - 2.5 Sq.mm (max)

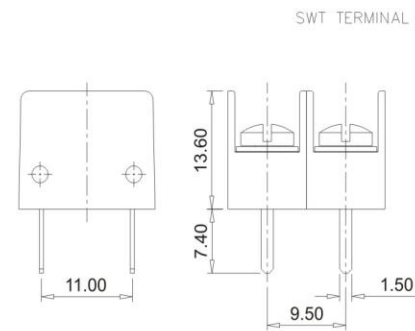
MAX. TORQUE FOR TERMINAL SCREWS - 0.7 Nm

INSULATOR MATERIAL - Engineering Thermoplastic

TERMINAL BODY - Copper Alloy (Tin Plated)

WIRE CAGE - Brass (Nickle Plated)

SWT



SPECIFICATIONS :

CURRENT RATING - 15A

VOLTAGE RATING - 250V

INSULATION RESISTANCE - 1,000 Megaohms at 500V DC

DIELECTRIC STRENGTH - 2.0KV

PITCH - 9.50

SCREW - Brass Nickle Plated

WIRE SIZE - 14-22 AWG

TERMINAL - Tin Plated Brass

COLOURS - Black, Red, Blue, Green, Yellow, Grey, White

Note : Kindly put wire around the screw & tighten.