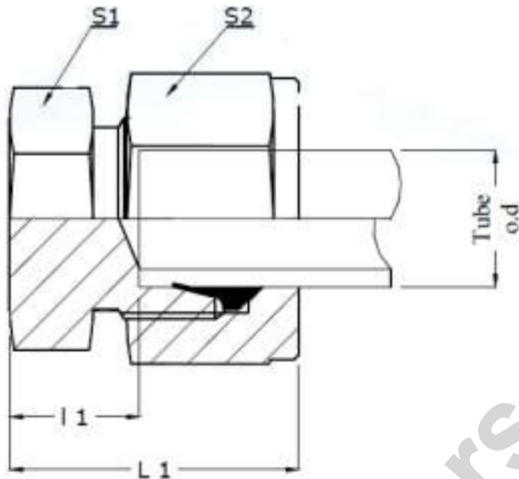


HYDROTEK ENGINEERS & CONTRACTORS, GHAZIABAD

PC – PIPE CLOSURE

24° CONE END

AVAILABLE IN CARBON STEEL & STAINLESS STEEL



SERIES	DIN2353 SPEC.	T O.D.	L1	S1	S2
L	PC 06L	6	23.5	12	14
	PC 08L	8	23	14	17
	PC 10L	10	24.5	17	19
	PC 12L	12	25	19	22
	PC 15L	15	27	24	27
	PC 18L	18	28.5	27	32
	PC 22L	22	30	32	36
	PC 28L	28	32.5	41	41
	PC 35L	35	39.5	46	50
	PC 42L	42	42.5	55	60
S	PC 06S	6	28.5	14	17
	PC 08S	8	28	17	19
	PC 10S	10	29.5	19	22
	PC 12S	12	31	22	24
	PC 14S	14	34.5	24	27
	PC 16S	16	34.5	27	30
	PC 20S	20	40	32	36
	PC 25S	25	43	41	46
	PC 30S	30	50.5	46	50
	PC 38S	38	54.5	55	60