

Active Controls

AUTOMATIC CONTROL FOR WATER PUMPS

Automatic Control for standard applications where water is drawn from the municipal line based on timed supply, stored in a tank, and lifted to an overhead tank for usage through gravity.

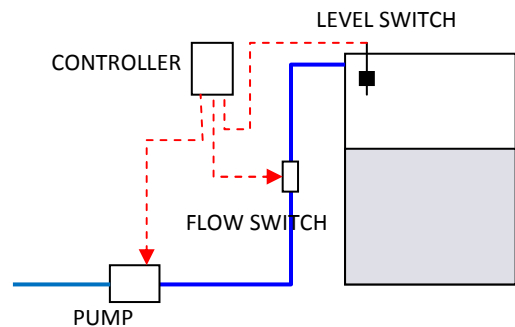
The Control system has two independent systems:

To fill up the Lower Tank

This is based on timing, Flow and level control with arrangement as shown. The pump is switched on for a short duration during water timing, automatically. In case there is a water supply, the flow switch is actuated and the pump keeps running. However if there is no water supply the pump is switched off after one minute. (This timing can be increased to 2 or 3 minutes if water takes longer to come).

The timer can be set eight times in a day, and normally it is used @ 4 times in the morning supply hours and 4 times in the evening supply hours. The switching is carried out at intervals of 15-30 minutes (or as desired by the homeowner)

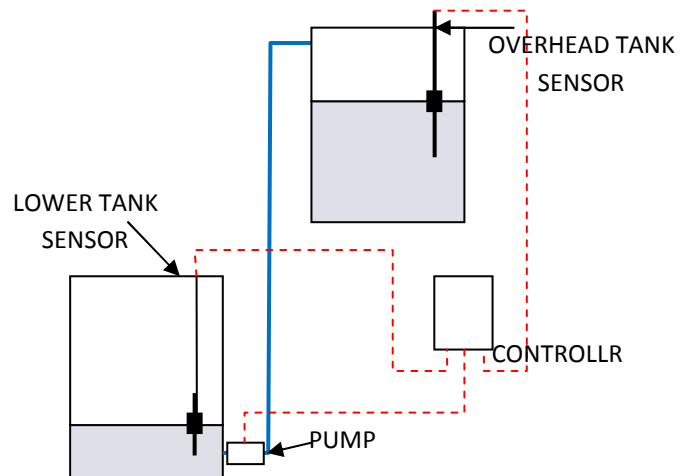
The tank also has a Magnetic level switch. This will switch off the pump when the tank is full, preventing overflow.



The price of this set is Rs 8500.00 plus Rs 250 for plumbing charges. VAT 12.5%

For the Overhead tank

The system is based on twin magnetic level sensors and one control unit. The pump is switched ON when the level drops to about middle of tank and switches off when the overhead tank is full. IN case the level in the lower tanks drops to very low the pump is again switched off and will restart only when water level rises minimum by about 200 to 250 centimeters. This helps prevent intermittent starting of the pump when water becomes available.



Price:

The price of this Control system is Rs 4500.00 plus VAT 12.5%

ACTIVE CONTROLS

1800 Giani Market, Op D 58A, NDSE Part 1, New Delhi – 110003

Tel: 011 24621802, Mobile: 9899379966, website: www.liquidlevel.co.in