

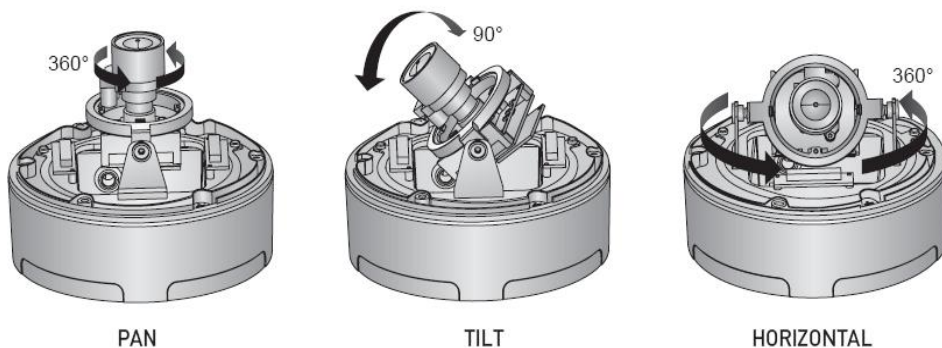
3-Axis Dome Camera

FEATURES

- Indoor Operation
- Sony 1/3" **Super** HAD CCD
- Sony **DSP** (Digital Signal Processor)
- Horizontal Resolution of **540TVL**
- Automatic White Balance (AWB)
- **Vari-Focal Auto IRIS Lens**
 - Standard: 4-9mm
 - Optional: 2.6-6mm, 9-22mm, **6~50mm**
- Manual 3-Axis (Pan/Tilt/Horizontal) Adjustment
- Various Application(Surface/Flush Mount)
- Material : Polycarbonate, ABS
- DC12V/AC24V Dual Power
- CE, FCC, RoHS Compliance
- **3-Axis Gimbal**



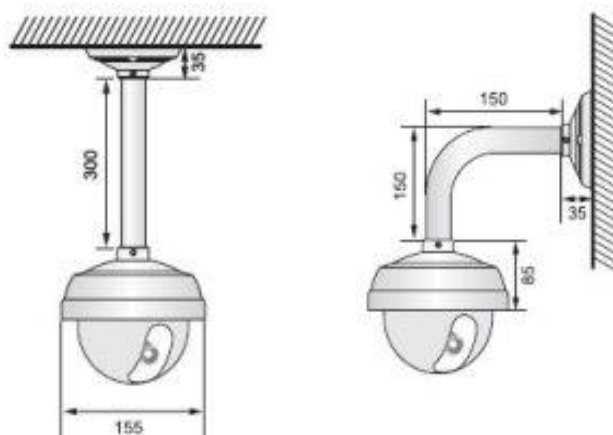
GSP-4D54S



OPTIONAL ITEM

GMB-514V

Mounting Bracket



SPECIFICATIONS

Model	GSP-4D54S
Image Sensor	Sony 1/3" Super HAD CCD
TV System	NTSC or PAL
Effective Pixels	410K(NTSC)/470K(PAL)
Horizontal Resolution	540TVL
White Balance	Automatic White Balance(AWB)
Scanning System	525 Lines(NTSC), 625 Lines(PAL) 2 : 1 Interlace
Sync. System	Internal(DC12V)/L.L(External/AC24V) : Auto Switching
Scanning Frequency	(H)15.734KHz (V)59.94Hz [NTSC], (H)15.625KHz (V)50Hz [PAL]
Min. Illumination	0.5 Lux
Lens	Vari-Focal Auto IRIS Day&Night Lens(4~9mm: STD, 2.6~6/9~22/6~50mm: OPT)
Electrical Shutter	1/60 ~ 100,000(NTSC), 1/50 ~ 100,000(PAL)
S/N Ratio	More than 48dB (AGC Off)
Gamma Correction	0.45 / 1
Video Output	VBS 1.0Vp-p Composite
Function Key	AGC/A.I, E.E/BLC/FLK/Mirror S/W, DC Level Adjustment
Electrical	
Power Source	DC12V/AC24V Dual Power (Non-Polarity)
Power Consumption	DC12V:300mA / AC24V : 5W
Video Output Connector	BNC
Power Output Connector	DC Jack
Environmental	
Operating Temperature	14°F ~ 122°F (-10°C ~ 50°C)
Storage Temperature	-22°F ~ 140°F (-30°C ~ 60°C)
Operating Humidity	Up to 90%RH
Mechanical	
Lens Mount	Board Mount Vari-Focal Lens
Material	Polycarbonate, ABS
Color	Ivory
Dimensions(mm)	135.31(W)X117.02(H)
Weight	630g

DEMENSION

