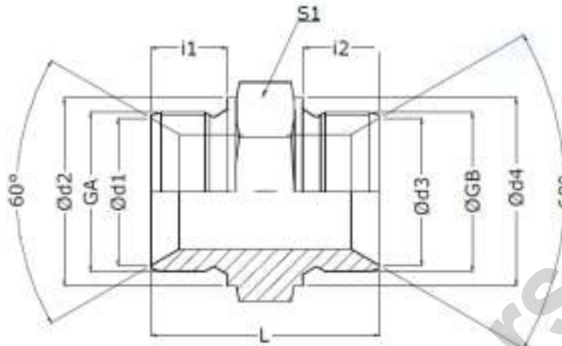


HYDROTEK ENGINEERS & CONTRACTORS, GHAZIABAD

HA – HOSE ADAPTER

60°

AVAILABLE IN CARBON STEEL & STAINLESS STEEL



PART NO.	GA	GB	L	S1	I 2	I 1
HAG1/8S	1/8"	1/8"	23	14	8	8
HAG1/8X1/4	1/8"	1/4"	27.5	19	11	8
HAG1/4S	1/4"	1/4"	31	19	11	11
HAG1/4X3/8	1/4"	3/8"	33.5	22	11	11
HAG1/4X1/2	1/4"	1/2"	37	27	14	11
HAG3/8S	3/8"	3/8"	35	22	11	11
HAG3/8X1/2	3/8"	1/2"	38.5	27	14	11
HAG3/8X3/4	3/8"	3/4"	41.5	32	16	14
HAG1/2S	1/2"	1/2"	41	27	14	14
HAG1/2X3/4	1/2"	3/4"	44	32	16	14
HAG1/2X1	1/2"	1"	46	41	18	16
HAG3/4S	3/4"	3/4"	46	32	16	16
HAG3/4X1	3/4"	1"	48	41	18	16
HAG3/4X1.1/4	3/4"	1.1/4"	52	50	20	18
HAG1S	1"	1"	50	41	18	18
HAG1X1.1/4	1"	1.1/4"	54	50	20	18
HAG1X1.1/2	1"	1.1/2"	58	55	22	20
HAG1.1/4S	1.1/4"	1.1/4"	56	50	20	20
HAG1.1/4X1.1/2	1.1/4"	1.1/2"	60	55	22	20
HAG1.1/2S	1.1/2"	1.1/2"	62	55	22	22