

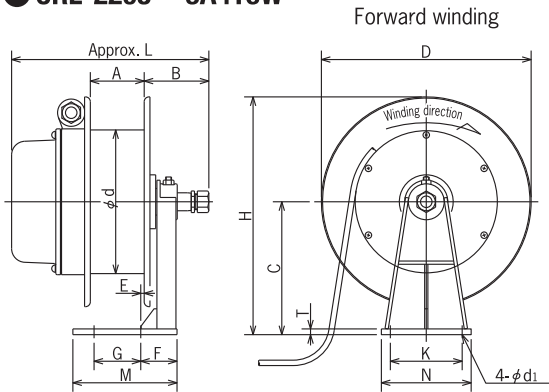
# CRL TYPE CABLE REEL

(Standard)

**RoHS** RoHS-complied

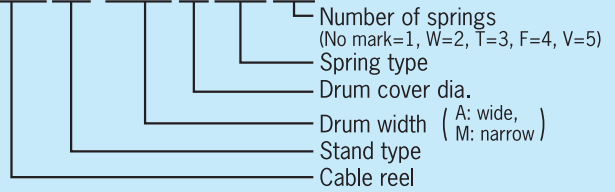
● Protective Structure ..... IP44

● CRL-2205 ~ 3A416W

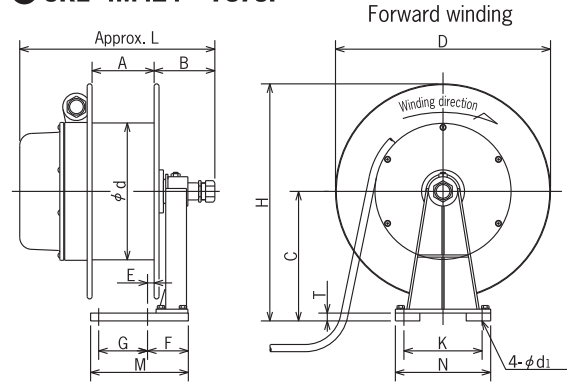


## Model description

### CRL-3A416W



● CRL-4M424 ~ 7875F



## Specifications and Dimensions

Model	Max torque N·m{kgf·m}	Max spring tension N{kgf}	Max spring turns n					
				D	d	A	B	C
CRL-2205	4.9{ 0.5}	49{ 5.0}	20	292	200	75	90	185
CRL-2A205W	4.9{ 0.5}	49{ 5.0}	39	292	200	110	90	185
CRL-2A210	9.8{ 1.0}	98{10.0}	20	292	200	110	90	185
CRL-2305	4.9{ 0.5}	49{ 5.0}	20	350	200	75	90	215
CRL-2A305W	4.9{ 0.5}	49{ 5.0}	39	350	200	110	90	215
CRL-3316	15.6{ 1.6}	132{13.5}	13	350	230	75	95	215
CRL-3A309W	8.8{ 0.9}	73{ 7.5}	38	350	230	110	90	215
CRL-3A316W	15.6{ 1.6}	132{13.5}	26	350	230	110	95	215
CRL-3409	8.8{ 0.9}	73{ 7.5}	19	440	230	75	90	260
CRL-3A409W	8.8{ 0.9}	73{ 7.5}	38	440	230	110	90	260
CRL-3A416W	15.6{ 1.6}	132{13.5}	26	440	230	110	95	260
CRL-4M424	23.5{ 2.4}	166{17.0}	13	440	280	127	124	265
CRL-4424W	23.5{ 2.4}	166{17.0}	26	440	280	165	124	265
CRL-4424T	23.5{ 2.4}	166{17.0}	39	440	280	165	124	265
CRL-4424F	23.5{ 2.4}	166{17.0}	52	440	280	165	124	265
CRL-4524T	23.5{ 2.4}	166{17.0}	39	510	280	165	124	305
CRL-4524F	23.5{ 2.4}	166{17.0}	52	510	280	165	124	305
CRL-5M636	35.3{ 3.6}	196{20.0}	13	630	360	127	120	370
CRL-5636W	35.3{ 3.6}	196{20.0}	26	630	360	165	120	370
CRL-5636T	35.3{ 3.6}	196{20.0}	39	630	360	165	120	370
CRL-5636F	35.3{ 3.6}	196{20.0}	52	630	360	165	120	370
CRL-5655W	53.9{ 5.5}	294{30.0}	24	630	360	165	120	370
CRL-5655T	53.9{ 5.5}	294{30.0}	36	630	360	165	120	370
CRL-6756F	54.9{ 5.6}	245{25.0}	48	750	440	220	134	435
CRL-6756V	54.9{ 5.6}	245{25.0}	60	750	440	220	134	435
CRL-6775W	73.5{ 7.5}	333{34.0}	24	750	440	220	134	435
CRL-6775T	73.5{ 7.5}	333{34.0}	36	750	440	220	134	435
CRL-6775F	73.5{ 7.5}	333{34.0}	48	750	440	220	134	435
CRL-6M7112W	109.0{11.2}	490{50.0}	24	750	440	172	134	435
CRL-7875T	73.5{ 7.5}	264{27.0}	36	870	550	220	134	500
CRL-7875F	73.5{ 7.5}	264{27.0}	48	870	550	220	134	500

NOTE: 1. Suffix -R on all model names identifies reverse winding.

2. Installation plate (base plate) for CRL-2205~3A416W is welded. If it is convenient to set it in reverse, please notify us in advance. Suffix -1 on model name identifies reverse setting.