

PRODUCT RANGE : 8 mm TO 50 mm

TECHNICAL DATA

- 1. CONSTRUCTION** : SINGLE PIECE, FULL BORE, BLOW-OUT PROOF STEM, FLOATING BALL, SOFT SEATED, NON-FIRE SAFE DESIGN BALL VALVE.
- 2. DESIGN & MFG. STD.:** BS 5351, API 602, IS 9890
- 3. INSPECTION & TESTING STD.** : BS 5146, API 598
- 4. END TO END** : ANSI B 16.10 (AS SHOWN)
- 5. END CONNECTION** : ANSI B 16.11
 - A. SCREWED - BSP, BSPT, NPT
 - B. SOCKET WELD

BILL OF MATERIALS

PART NO.	QTY.	NOMENCLATURE	MATERIAL
1	1	BODY	CI - IS 210 GR. FG 200 / 220 CS - ASTM A 216 GR. WCB SS - ASTM A 351 GR. CF8/CF8M SS - AISI 304/316
2	1	BODY CONNECTOR	CI - IS 210 GR. FG 200 / 220 CS - ASTM A 216 GR. WCB SS - ASTM A 351 GR. CF8/CF8M SS - AISI 304/316
3	1	BALL	ASTM A 351 GR. CF8/CF8M & AISI 304/316
4	1	STEM	AISI 304/316
5	1	GLAND	AISI 304/316
6	2	BALL SEAL	PTFE
7	1	BODY SEAL	PTFE
8	1	STEM PACKING	PTFE
9	2	GLAND PACKING	PTFE
10	1	STEM NUT	SS 304/Steel
11	1	WRENCH	SS 304/Steel Cd. Plated
12	1	WRENCH SLEEVE	PVC
13	1	WRENCH STOPPER	CI / CS / SS

TEST PRESSURE (psig / kg/cm²)

TESTING	BODY	SEAT
HYDRAULIC	435 / 30.5	320 / 22.5
PNEUMATIC	---	100 / 7

DIMENSIONS

SIZE	FB	E/E	C/L	L/L	TS	TL	SB	SD
8	10	52	45	110	1/4"	10.21	14.4	10
10	10	52	45	110	3/8"	10.36	17.8	10
15	13	65	50	110	1/2"	13.56	21.8	10
20	19	70	65	130	3/4"	13.87	27.4	13
25	24	85	75	155	1"	17.35	34.1	13
32	31	92	90	170	1 1/4"	17.95	42.6	13
40	37	100	95	170	1 1/2"	18.38	49	13
50	50	120	100	170	2"	19.23	61	16

OTHER OPTIONS ON REQUEST:

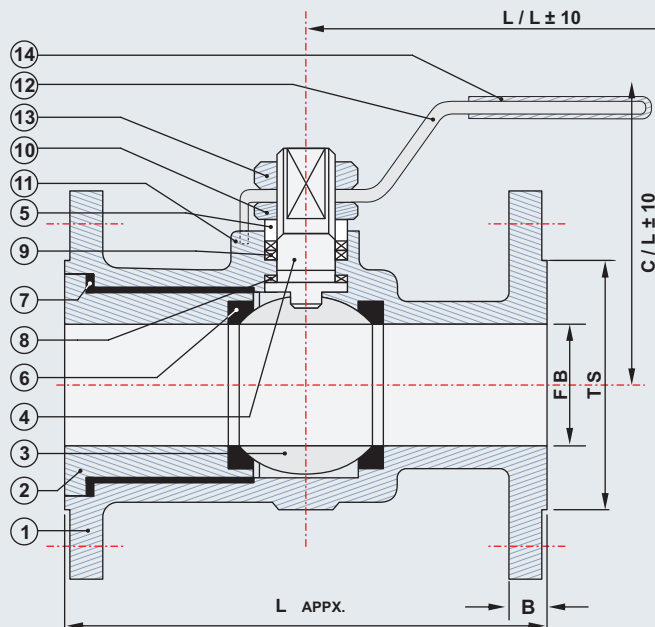
- 1. OTHER MATERIALS OF CONSTRUCTION
- 2. 300# VALVES
- 3. HOLLOW BALL
- 4. PNEUMATIC OPERATION
- 5. FIRE SAFE DESIGN

LEGEND : FB - FULL BORE, E/E - END TO END, C/L - CENTER TO LEVER, LL - LEVER LENGTH, TS - THREAD SURFACE, TL - THREAD LENGTH, SB - SOCKET BORE, SD - SOCKET DEPTH

VENUS FITTINGS & VALVES PVT. LTD.



<p>MUMBAI OFFICE 897/911, John Roberts' Compound, Sewri-Fort Road, Sewri (East), Mumbai 400 015, Maharashtra (India). Phone : (91-22) 2412 3151 / 2412 7006 Fax : (91-22) 2413 5576 E-mail : vfv@vsnl.net Website : www.vfv.com</p>	<p>AHMEDABAD OFFICE 8E, Sumeru Centre, Near Parimal Rly. Crossing, Paldi, Ahmedabad 380 007, Gujarat (India). Phone : (91-79) 2663 2754 / 2663 8877 Fax : (91-79) 2663 2754</p>	<p>WORKS Sub Plot No. 1/2, Natraj Industrial Estate, Village Wasna - Iyawa, Taluka - Sanand, Dist. Ahmedabad 382 110, Gujarat (India). Phone : (91-2717) 284392</p>	<p>SINGLE PIECE (1-PC.), FULL BORE, SCREWED OR SOCKET WELD ENDS, BALL VALVES, 150#</p> <p>All dimensions are in mm</p>
--	--	--	---



PRODUCT RANGE	: 15 mm TO 100 mm
TECHNICAL DATA	
1. CONSTRUCTION	: THREE PIECE, FULL BORE, BLOW-OUT PROOF STEM, FLOATING BALL, SOFT SEATED, NON-FIRE SAFE DESIGN BALL VALVE.
2. DESIGN & MFG. STD.:	BS 5351, API 602, IS 9890
3. INSPECTION & TESTING STD.	: BS 5146, API 598
4. FACE TO FACE	: ANSI B 16.10 (AS SHOWN)
5. END CONNECTION	: FLANGED AS PER ANSI B 16.5 RF

BILL OF MATERIALS

PART NO.	QTY.	NOMENCLATURE	MATERIAL
1	1	BODY	CI - IS 210 Gr. FG 200 / 220 CS - ASTM A 216 Gr. WCB SS - ASTM A 351 Gr. CF8/CF8M SS - AISI 304/316
2	1	INSERT	CI - IS 210 Gr. FG 200 / 220 CS - ASTM A 216 Gr. WCB SS - ASTM A 351 Gr. CF8/CF8M SS - AISI 304/316
3	1	BALL	ASTM A 351 Gr. CF8/CF8M & AISI 304/316
4	1	STEM	AISI 304/316
5	1	GLAND	AISI 304/316
6	1	BALL SEAL	AISI 304/316
7	1	BODY SEAL	P.T.F.E.
8	1	STEM PACKING	P.T.F.E.
9	2	GLAND PACKINGS	P.T.F.E.
10	1	GLAND NUT	SS 304/Steel
11	1	WRENCH STOPPER	CI / CS / SS
12	1	WRENCH	SS 304/Steel Cd. Plated
13	1	WRENCH NUT	SS 304/Steel Cd. Plated
14	1	WRENCH SLEEVE	P.V.C.

TEST PRESSURE (psig / kg/cm ²)		
TESTING	BODY	SEAT
HYDRAULIC	435 / 30.5	320 / 22.5
PNEUMATIC	---	100 / 7

DIMENSIONS

SIZE	FB	F/F	C/L	L/L	Ø D	B	Ø G	P	N	Ø J
15	13	108	70	130	89	11.1	35	60.5	4	16
20	19	117	75	130	98.5	11.1	43	70	4	16
25	25	127	80	175	108	11.1	51	79.5	4	16
40	38	165	90	220	127	14.3	73	98.5	4	16
50	51	178	100	245	152.5	16	92	121	4	19
65	64	190	150	350	178	17.5	105	140	4	19
80	76	203	175	450	191	19	127	152.5	4	19
100	102	229	195	500	229	24	157	190.5	8	19

- OTHER OPTIONS ON REQUEST:**
1. OTHER MATERIALS OF CONSTRUCTION
 2. 300# VALVES
 3. HOLLOW BALL
 4. PNEUMATIC OPERATION
 5. SIZES 150 mm & ABOVE
 6. FIRE SAFE DESIGN

LEGEND : FB - FULL BORE, F/F - FLANGE TO FLANGE, C/L - CENTER TO LEVER, L/L - LEVER LENGTH, Ø D - RF DIA., B - THICKNESS WITHOUT RF, Ø G - INSIDE DIA.

VENUS FITTINGS & VALVES PVT. LTD.

MUMBAI OFFICE 897/911, John Roberts' Compound, Sewri-Fort Road, Sewri (East), Mumbai 400 015, Maharashtra (India). Phone : (91-22) 2412 3151 / 2412 7006 Fax : (91-22) 2413 5576 E-mail : vfv@vsnl.net Website : www.vfvl.com	AHMEDABAD OFFICE 8E, Sumeru Centre, Near Parimal Rly. Crossing, Paldi, Ahmedabad 380 007, Gujarat (India). Phone : (91-79) 2663 2754 / 2663 8877 Fax : (91-79) 2663 2754	WORKS Sub Plot No. 1/2, Natraj Industrial Estate, Village Wasna - Iyawa, Taluka - Sanand, Dist. Ahmedabad 382 110, Gujarat (India). Phone : (91-2717) 284392	SINGLE PIECE (1-PC.), FULL BORE, FLANGED ENDS, BALL VALVES, 150# All dimensions are in mm
---	---	---	---