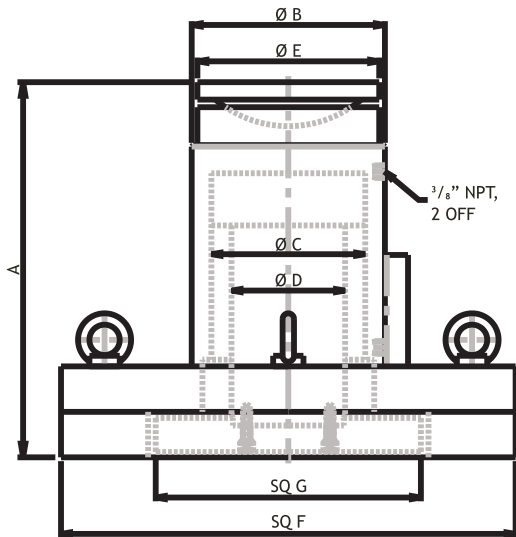


Double Acting Stage Lift Jacks

■ Capacity 100 - 600 ton ■ Stroke 150 mm



Features

- To lift heavy and large structure / vessel in stages.
- Normally used to lift to a height to insert support structure, truck chassis.

ODSL Series

O Orione **D** Double acting **SL** Stage lift **100** Capacity - ton **150** Stroke - mm

Capacity (ton)	Stroke (mm)	Model	Effective Area (cm ²)	Oil Cap. (cc)	Close Height (mm) A	Cylinder OD (mm) B	Bore Dia. (mm) C	Ram Dia. (mm) D	Saddle Dia. (mm) E	Cylinder Base (mm) F	Ram Base (mm) G	Wt. (Approx.) (kg.)
100	150	ODSL 100-150	153.94	2310	450	175	140	110	170	Sq 525	Sq 270	300
200	150	ODSL 200-150	314.16	4715	495	255	200	150	240	Sq 600	Sq 350	480
300	150	ODSL 300-150	452.4	6786	560	310	240	180	305	Sq 680	Sq 420	700
400	150	ODSL 400-150	572.6	8589	640	350	270	220	336	Sq 750	Sq 450	1120
500	150	ODSL 500-150	706.9	10605	670	400	300	240	360	Sq 800	Sq 550	1230
600	150	ODSL 600-150	855.3	12830	705	430	330	270	405	Sq 900	Sq 600	1800

- Higher capacity and customized solutions on request.
- Specifications are subject to change due to continual improvement.