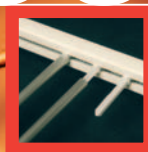
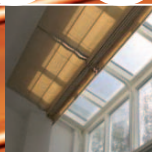


6500, 6600, 6602

**ELECTRIC
WINTERGARDEN
SYSTEM**

6500, 6600, 6602



G-RAIL[®]

ALUMINIUM RAIL

> *by Goelst*



G-Rail wintergarden system 6500 features all the benefits of standard G-Rail low voltage (24V) electric motor technology. With integrated 'CAN-BUS' intelligence for stand alone installations, system 6500 offers compatibility with most home automation control systems. Ease of operation is performed using standard infrared control (supplied), switch or optional radio control. Suitable for horizontal, curved and sloping glazing situations including atrium roofs, conservatories etc., system 6500 is particularly suited to sunscreen fabrics for effective solar / thermal control.

Systems 6600 and 6602 are designed specifically for smaller openings or lighter weight fabrics - straight rails only.

Standard colours: White RAL 9010, Natural Metallic RAL 9006.

Special colours available on request.

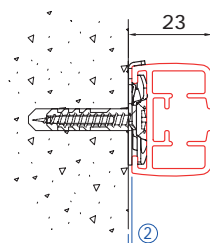
**ELECTRIC
WINTERGARDEN
SYSTEM**

6500, 6600, 6602

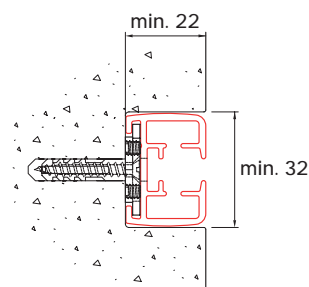


6500^P, 6600^P, 6602^P Wintergarden sys

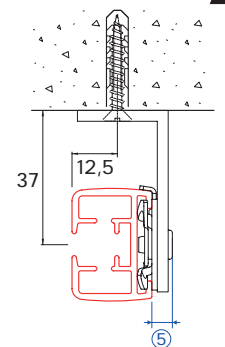
Installation



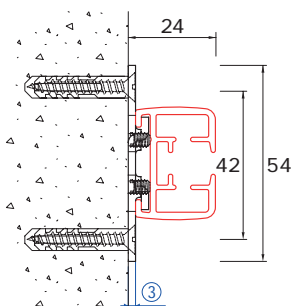
Montage mit Spannriegel 6050



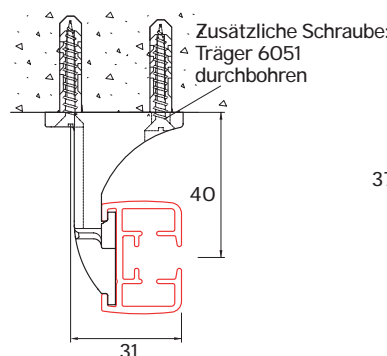
Verdeckter Einbau mit Deckenträger 6055-2000 bei Biegungen: Die Fräsnut muss nach Vorlage des gelieferten Schienenkörpers angefertigt werden!



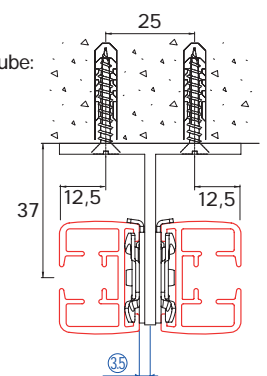
Montage mit Träger 6555-LS



Montage mit Träger 6055-1000

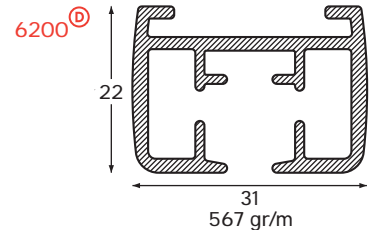
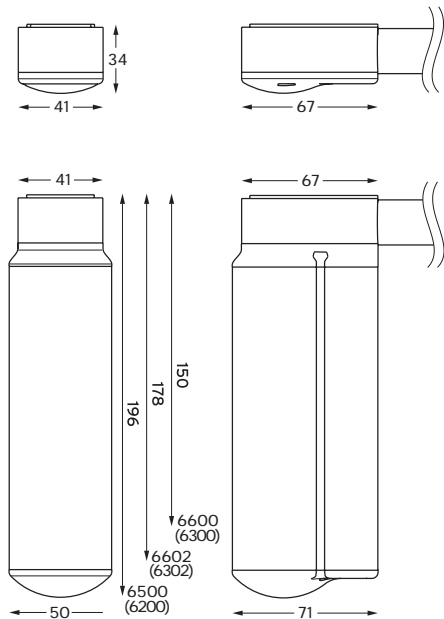


Montage mit Träger 6051 und zusätzlicher Schraube



Montage mit Träger 6555-TS

Eingekreiste Maße: Werte (in mm) zum Bestimmen der Systembreite mit Bezug auf das lichte Maß



Specification Guide

Special Qualities

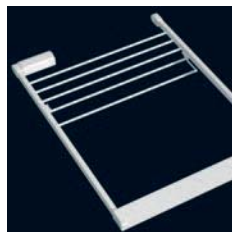
- > Silent operation (with 6500).
- > System suitable for a variety of fabric types and applications.
- > Strong motor with low system resistance.
- > Delivered pre-wired for simple 24-volt installation.
- > Easy control and setting of the system using infrared remote control.
- > In-built repeat timer function.
- > Up to 5 intermediate positions programmable (6500).
- > Colour co-ordinated components.
- > Standard travel speed set at 15 cm / second (6500).
- > Variable speed motor facility, launching/docking speeds and distances pre-programmed by Goelst or approved distributor (6500).
- > Standard IR control, optional momentary switch (code 6048-1001). RF (radio frequency) also available on request.
- > Integrated G-Rail 'CAN-BUS' system, allows group / individual control of G-Rail electric curtain tracks
- > Compatible with most existing BUS systems.
- > Maximum system width - 2.0 metres using traverse rod 7492-12. Maximum length 7 metres for a single stack and 14 metres for a double (pair) stack. Variation in measurements on request. Please note: This system is only suitable for openings with parallel sides.



tems for effective solar co



6500, 6600, 6602
standard



with 'U'-profile
6500-UP



6500-T
standard tandem



with 'L'-profile
6500-LP

Material:

Aluminium 606035-T6-F22 (higher specification than DIN 1725). Shape and size tolerances are in accordance with DIN 17615. White RAL 9010 or Natural Metallic RAL 9006 powder coated in accordance with the Qualicoat standard. Profile weight: 567 gr per linear metre.

Accessories:

2 telescopic gliders 6529 for each traverse rod - traverse rod centres variable to suit requirements. Maintain max, 0,5 kg per telescopic glider 6529. Standard rod 7492-12 with 12 mm diameter. Optional rod 4158-W with 15 mm diameter on request.

7400 Velcro profile in combination with supports 7450, 7451 or button fixing 2254: fabric closure.

Optional extra's

6500-LP; L-profile motor cover + fabric closure.

6500-UP; U-profile drive shaft cover + fabric closure.

Installation:

General advice for installation: one additional bracket should be fixed at each cover stacking position.

Fixing with bracket 6050: fixing centres 60-80 cm.

Fixing with bracket 6055-1000 for heavy fabrics and with special curves, fixing centres 60-80 cm.

Fixing with brackets 6555-LS or 6555-TS, fixing centres 60-80 cm.


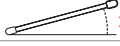
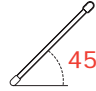
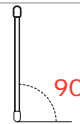
Fixing with bracket 6051 (drilled, plus extra screw) 60-80 cm.

Alternative fixing options: please enquire.


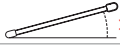
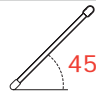
Bending: (6500 only)

Radius: 20 cm, 30 cm (Bending machine 1015) or greater than 1m (gradual curve).

Load table

	6500	6500-T
	30 kg	45 kg
	13½ kg	20 kg
	5 kg	8 kg
	3½ kg	6 kg

System length: max. 7 m (14 m with split [pair] stack). System width: max. 2 m.
For systems larger than given in the table or for curved rails: please enquire.

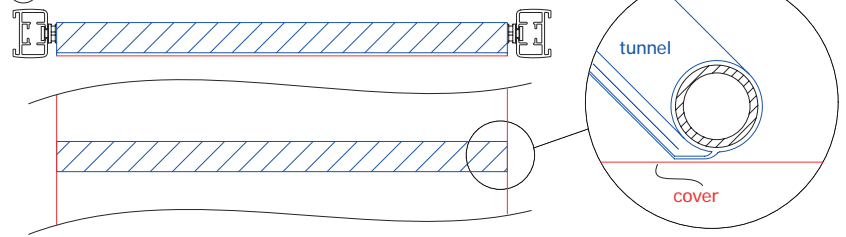
	6602	6600
	22½ kg	15 kg
	10 kg	-
	5 kg	-

System length: max. 7 m.
System width: max. 2 m.
Curves not applicable for systems 6600 or 6602.

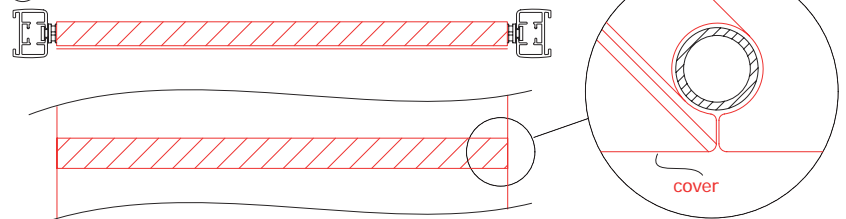
Cover hanging examples

Depending on fabric properties: pockets either stitched or welded. The cover should not be in contact with the profile.

(A) Cover between rails; separate single tunnel.

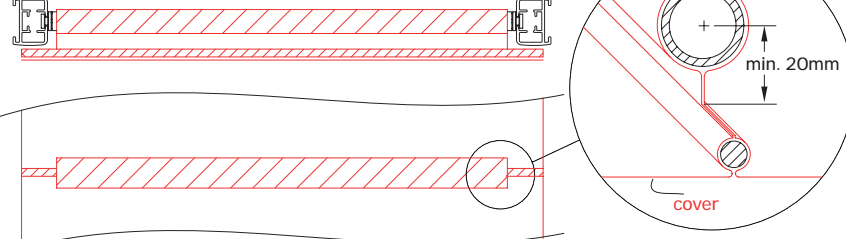


(B) Cover between rails with single tunnel formed in fabric



(C) Cover underslung, covering both rails; 2 tunnels.

Upper pocket reduced on the sides to fit between rails.



rods(hollow tube)	gr/m	∅ rods	∅ tunnel	rods (solid)	gr/m	∅ rods	∅ tunnel
7492-12	97	12 mm	15 mm	7491-3	20	3 mm	5 mm
4158	196	15 mm	18 mm	7491-5	56	5 mm	7 mm
				7499-4 transparent	17	4 mm	6 mm

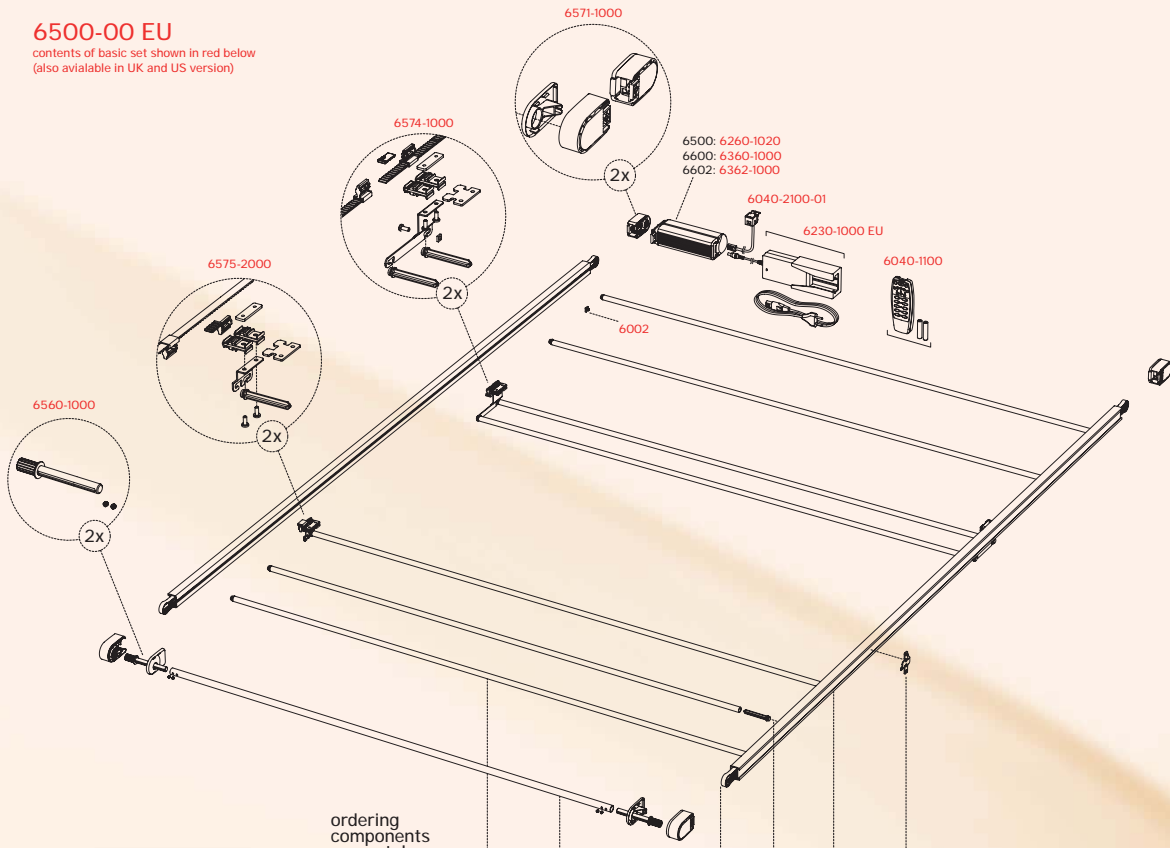
ntrol.



Exploded View

6500-00 EU

contents of basic set shown in red below
(also available in UK and US version)

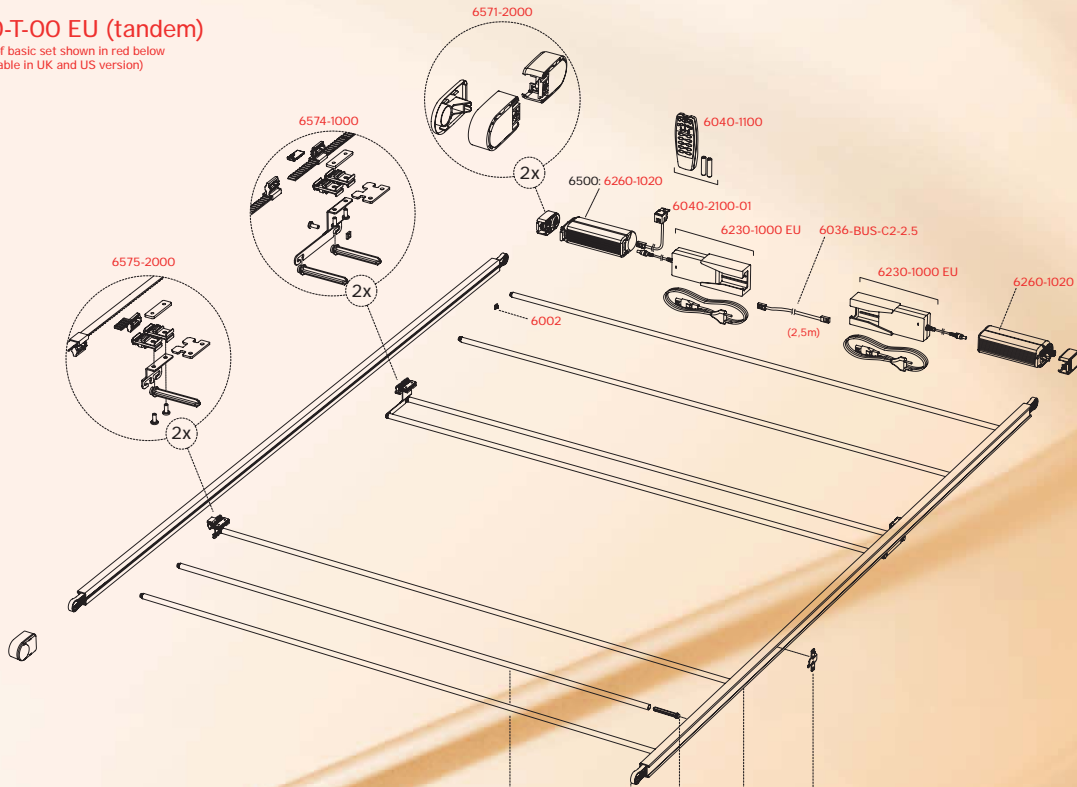


ordering components separately:

motor set	rod	+	drive shaft	+	drive belt	+	glider	+	profile	+	see component page
6500-00	7492-12		4158		6220		6529		6200		6055
6500-10											
6500-20											

6500-T-00 EU (tandem)

contents of basic set shown in red below
(also available in UK and US version)



ordering components separately:

motor set	rod	+	drive belt	+	glider	+	profile	+	see component page
6500-T-00	7492-12		6220		6529		6200		6055
6500-T-10									
6500-T-20									

Components

Product design and specification changes reserved.



When ordering components for self assembly:
 -Select motor set:
 -Profile 6200
 -Drive belt 6220
 -Component parts: see Curtain transport, Fixing and Accessories sections below.

◀ **6500-00 / 6600-00 / 6602-00**
 Basic set for systems with single motor, including infrared control (see exploded view)
 Tandem set: **6500-T-00**

6500-10 / 6600-10 / 6602-10
 Motor set with single motor, excluding infrared controls
 Incl. switch 6048-1001-03
 Tandem set: **6500-T-10**

6500-20 / 6600-20 / 6602-20
 Motor set with single motor, excluding controls:
 Select Controls from the "Connect and Control" brochure. Tandem set: **6500-T-20**

*) When ordering complete assembled systems please use our order form.

	6200[®] aluminium profile colours: NM - W
	6220 drive belt (10 mm)
	4158 aluminium rod for drive shaft Ø 15 mm colours: B - G - N - W

CURTAIN FIXING

	7453 endcap for 7400 profile colours: GR - W
	7400-ZV profile with Velcro colours: N - W
	7450 support for 7400 colours: B - W
	7451 support for 7400, projection 6 cm colours: B - W

CURTAIN TRANSPORT

	6529 telescopic glider colours: W
	7492-12 7492-12 aluminium tube Ø 12 mm colour: N
	7491-N-3 7491-N-3 aluminium rod Ø 3 mm colour: N
	7491-N-5 7491-N-5 aluminium rod Ø 5 mm colour: N
	7499-PH-4 7499-PH-4 plexiglass rod Ø 4 mm

	6500-UP profile for curtain fixing and/or covering the drive shaft, incl. Velcro (without velours) pre-punching of profile by Goelst / G-Rail colours: W
--	---

CEILING FIXING

	6050 ceiling fixing clamp incl. washer 6050-1049 max. total curtain weight < 25 kg.
	6055-1000 ceiling fixing plate colours: NM - W

	6560-DM dummy motor, to mount 6500-LP on systems with one motorunit colours: NM - W
	6500-LP profile for curtain fixing and/or covering the motorunit, incl. Velcro (without velours) pre-drilling of profile by Goelst / G-Rail colours: W

	6055-2000-35 6055-2000-45 profile insert for recessed fixing, incl. special screw, pre-drilling 6200 profile by Goelst / G-Rail
--	---

ACCESSORIES

	6574-2000[®] overlap carrier set (L + R) for additional curtain stack colours: W
	6575-2000[®] overlap carrier set (L + R) for additional pairs of curtains i.c.w. 6574-2000 colours: W

	6555-LS 'L'- bracket colours: W
--	--

	6052 internal connecting bridge
--	---

	6555-TS 'T'- bracket colours: W
--	--

CONTROL OPTIONS

--	--	--	--

The extensive range of control options are featured in our 'Connect and Control' brochure - alternative control options are available on request.

	6051[®] wall support - 4 cm projection colours: B - GR - W - ZW
--	---

ELECTRIC WINTERGARDEN SYSTEM
 # 6500, 6600, 6602

B = Brown
 G = Gold
 GR = Grey
 N = Natural
 NM = Natural Metallic
 W = White
 ZW = Black

◀ = standard item
 ® = registered design
 ® = patented design

Space for dealer address

12/2005