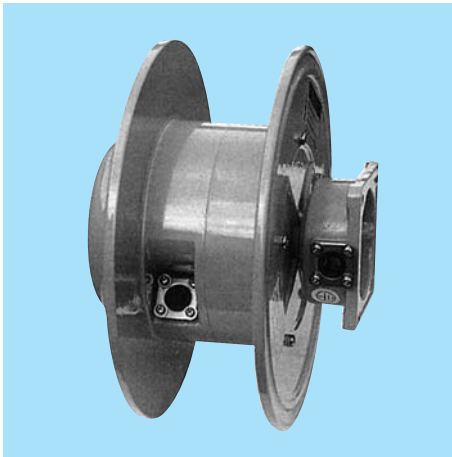


# CRF TYPE CABLE REEL

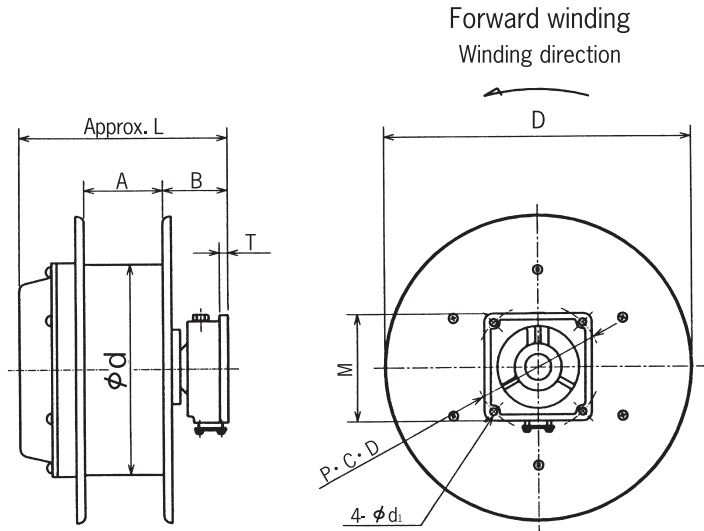
(For indoor, Small)



## Model description

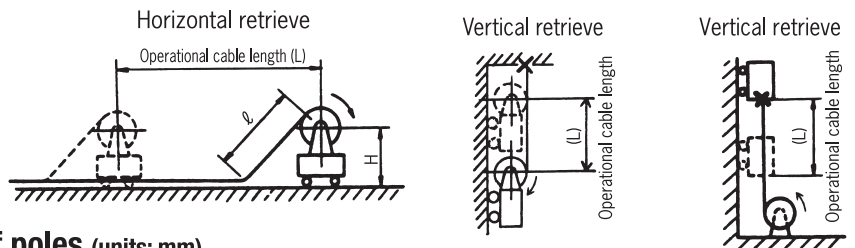
**CRF-11032**

- Spring type
- Drum cover dia.
- Drum width
- Flange type
- Cable reel



## Slip ring capacity (Rated voltage AC250V)

Rated current	Number of poles			
12A	3	4	6	8



## Additional L length by the number of poles (units: mm)

Rated current	Number of poles			
	12A	0	0	24

## Specifications, Dimensions and Max operational cable length (Mobile application /Horizontal & Vertical retrieve, Stationary application / Vertical retrieve)

Model	Max Torque N·m{kgf·m}	Max spring tension N{kgf}	Max spring turns n	Operational cable length (L)(m)			Dimensions (mm)									Mass (kg)
				φ 11	φ 13	φ 14.5	D	d	A	B	L	M	P·C·D	T	d1	
CRF-11032	3.1{0.32}	39 {4.0}	22	12	12	7	275	160	90	55	189	102	120	10	7	8
CRF-1105-1	4.9{0.5}	60 {6.2}	17	7	6	5	240	160	90	55	189	102	120	10	7	8
CRF-1105	4.9{0.5}	60 {6.2}	17		8	7	275	160	90	55	189	102	120	10	7	8

NOTE: 1. Calculated at following conditions:

- ① Cable type ..... 2PNCT
- ② Applications ..... Mobile application /Horizontal & vertical retrieve, Stationary application / Vertical retrieve
- ③ Max travel/ lift speed ..... less than 40mm/min
- ④ Installation height ..... less than 0.5m

2. Deviations due to roller guides, non-straight cable payout, low ambient temperature, etc. are not calculated. When selecting a model, please take into consideration of high mechanical stress and harsh environment conditions.

3. For high speed or high operation frequency rate, please use premium cables.

4. Suffix -R on all model names identifies reverse winding.

5. For any special requirements, please contact us.