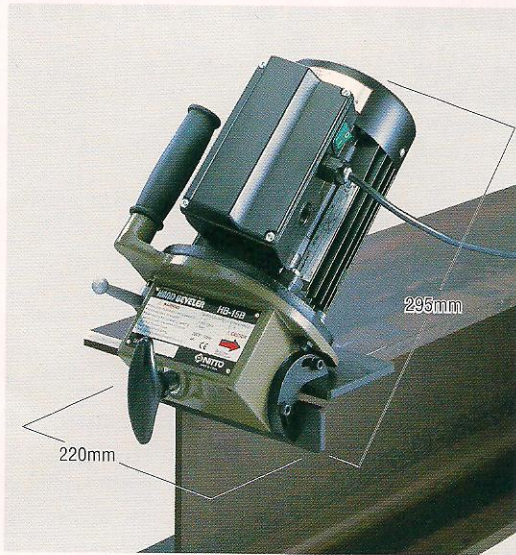


HAND BEVELER

Model

HB-15B Chamfering up to 15C



15C

- Ideal for chamfering before welding
- Use easy-to-replace super-solid cutting tips
- Each cutting tip has four working edges for good economy
- Finish a surface so fine that post-sanding is unnecessary
- Column R-section can be chamfered with optional attachment
- No damage of workpieces is expected as heat-hardening or oxidization will seldom happen

Specifications

Model	HB-15B	
Power Source (Single phase)	115V AC	230V AC
Rated Power Consumption W	910	910
Rated Current A	10.5	4
No-load Speed min ⁻¹ (rpm)	3,340	2,750
Chamfering Capacity	0 C - 15 C	
Chamfer Angle	15° ~ 45°	
Mass (Weight) kg	14	

Standard accessories

- Hex.Socket Screw Key 4,5,6 mm. each 1 pc.
- 3 mm T Wrench Key : 1 pc.
- Spanner 24 x 27: 1 pc.
- TA9A093 Tip 12.7 sq., 12 pcs./set. 1 set.
- Hook spanner 25 ~ 28: 1 pc.

Optional accessories

- TA9A728 Pipe Plate Ass'y for 5" to 32" OD (125mm to 800mm)



Chamfering steel plates



Chamfering I-beams

Handy Electric Chamfering Tool

MINI BEVELER

Model

MB-03A

 Double insulation



3C
2R, 3R

Specifications

Model	MB-03A	
Power Supply (Single phase)	230V or 115V AC, 50/60 Hz	
Rated Power Consumption W	430	
Rated Current A	2 / 4.5	
Chamfering Capacity	0 - 3 C	
Chamfering Radius Capacity	2R, 3R	
Chamfer Angle	45°	
Rated Revolutions min ⁻¹ (rpm)	7,100	
Weight kg	2.5	

Standard accessories

- 3 & 4 mm Hex.Socket Screw Key : each 1 pc.
- Spanner T-9F: 1 pc.

Optional accessories

- TA9A386 Tip 9.525, 10 pcs./set
- TA9A592 Tip 9.525 2R, 10 pcs./set
- TA9A638 Tip 9.525 3R, 10 pcs./set
- TA9A594 Inner Head Ass'y

Compact and light for speed chamfering

- An outer R-part attachment allows chamfering of outer diameters with a radius greater than 170 mm.
- An optional inner head ass'y allows chamfering a pipe of inner diameter larger than 100 mm (50R).