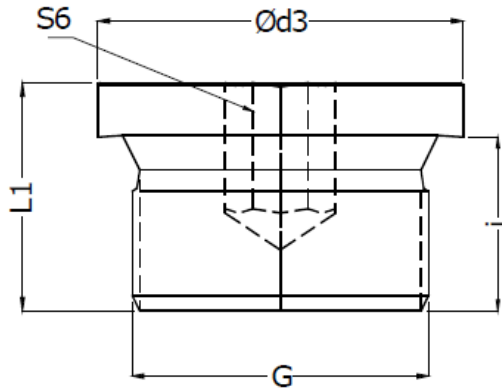


# HYDROTEK ENGINEERS & CONTRACTORS, GHAZIABAD

---

## PLUG – SOCKET HEAD (VSTI) PLUG – SOCKET HEAD (VSTI-ED)

AVAILABLE IN CARBON STEEL & STAINLESS STEEL



G MALE THREAD	D3	L1	S6
1/8"	14	11	5
1/4"	18	15	6
3/8"	22	15	8
1/2"	26	18	10
3/4"	32	20	12
1"	39	21	17
1.1/4"	49	21	22
1.1/2"	55	21	24