

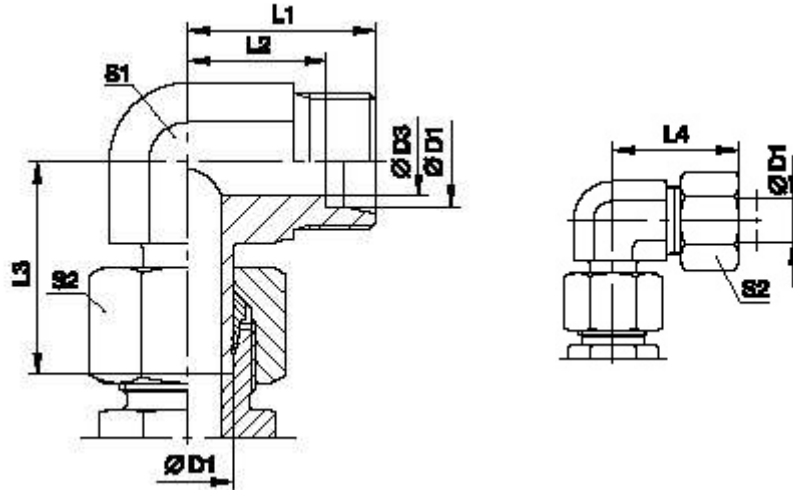
HYDROTEK ENGINEERS & CONTRACTORS, GHAZIABAD

EVW – SWIVEL ELBOW

EVW-R- SWIVEL ELBOW CONNECTOR

24° CONE END

AVAILABLE IN CARBON STEEL & STAINLESS STEEL.



SERIES	DIN2353 SPEC.	G-MALE BSP THREAD FOR EVW-R	D1	D3	L1	L2	L3	L4	S1	S2
L	EVW06L	G 1/8"	06	4.0	19	12.0	26	27	12	14
	EVW08L	G 1/4"	08	6.0	21	14.0	27.5	29	12	17
	EVW10L	G 1/4"	10	8.0	22	15.0	29	30	14	19
	EVW12L	G 3/8"	12	10.0	24	17.0	29.5	32	17	22
	EVW15L	G 1/2"	15	12.0	28	21.0	32.5	36	19	27
	EVW18L	G 1/2"	18	15.0	31	23.5	35.5	40	24	32
	EVW22L	G 3/4"	22	19.0	35	27.5	38.5	44	27	36
	EVW28L	G 1"	28	24.0	38	30.5	41.5	47	36	41
	EVW35L	G 1.1/4"	35	30.0	45	34.5	51	56	41	50
EVW42L	G 1.1/2"	42	36.0	51	40.0	56	63	50	60	
S	EVW06S	G 1/4"	06	4.0	23	16.0	27	31	12	17
	EVW08S	G 1/4"	08	5.0	24	17.0	27.5	32	14	19
	EVW10S	G 3/8"	10	6.0	25	17.5	30	34	17	22
	EVW12S	G 3/8"	12	8.0	29	21.5	31	38	17	24
	EVW14S	G 1/2"	14	10.0	30	22.0	35	40	19	27
	EVW16S	G 1/2"	16	12.0	33	24.5	36.5	43	24	30
	EVW20S	G 3/4"	20	16.0	37	26.5	44.5	48	27	36
	EVW25S	G 1"	25	20.0	42	30.0	50	54	36	46
	EVW30S	G 1.1/4"	30	25.0	49	35.5	55	62	41	50
EVW38S	G 1.1/2"	38	32.0	57	41.0	63	72	50	60	