

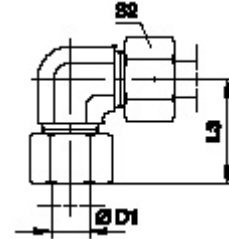
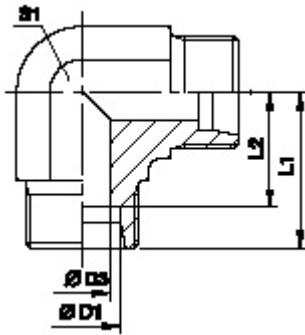
# HYDROTEK ENGINEERS & CONTRACTORS, GHAZIABAD

## W – ELBOW(UNION ELBOW)

24° CONE END

AVAILABLE IN CARBON STEEL & STAINLESS STEEL.

ALSO AVAILABLE UNEQUAL ELBOW ON REQUEST



SERIES	DIN2353 SPEC.	D1	D3	L1	L2	L3	S1	S2
LL	W04LL	04	3.0	15	11.0	21	9	10
	W06LL	06	4.5	15	9.5	21	9	12
	W08LL	08	6.0	17	11.5	23	12	14
	W10LL	10	8.0	18	12.5	24	12	17
	W12LL	12	10.0	19	13.0	25	14	19
L	W06L	06	4.0	19	12.0	27	12	14
	W08L	08	6.0	21	14.0	29	12	17
	W10L	10	8.0	22	15.0	30	14	19
	W12L	12	10.0	24	17.0	32	17	22
	W15L	15	12.0	28	21.0	36	19	27
	W18L	18	15.0	31	23.5	40	24	32
	W22L	22	19.0	35	27.5	44	27	36
	W28L	28	24.0	38	30.5	47	36	41
	W35L	35	30.0	45	34.5	56	41	50
W42L	42	36.0	51	40.0	63	50	60	
S	W06S	06	4.0	23	16.0	31	12	17
	W08S	08	5.0	24	17.0	32	14	19
	W10S	10	6.0	25	17.5	34	17	22
	W12S	12	8.0	29	21.5	38	17	24
	W14S	14	10.0	30	22.0	40	19	27
	W16S	16	12.0	33	24.5	43	24	30
	W20S	20	16.0	37	26.5	48	27	36
	W25S	25	20.0	42	30.0	54	36	46
	W30S	30	25.0	49	35.5	62	41	50
W38S	38	32.0	57	41.0	72	50	60	