



**ROKADE
PUMPS**

Pumping at new heights

SUBMERSIBLE SEWAGE PUMPS

IT *RESTS* PEACEFULLY.

KNOWING THAT THE
GOES WHERE IT TRULY BELONGS.

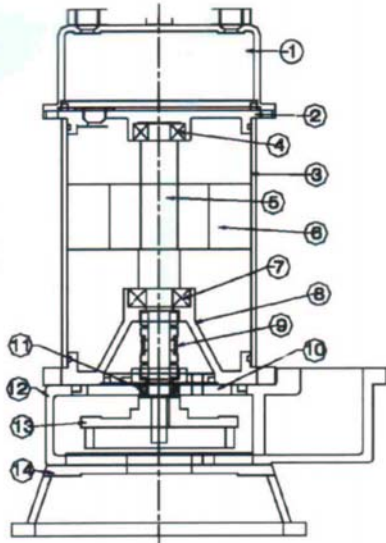
SEWAGE PUMPS

OUR VARIOUS MODELS OF SEWAGE PUMPS

**RPS 0.5 / RPS 0.5S / RPS 1.0 / RPS 1.0S / RPS 1.5 / RPS 1.5S/ RPS 02 /
RPS 02S / RPS 03 / RPS 05 / RPS 7.5/ RPS 10.**

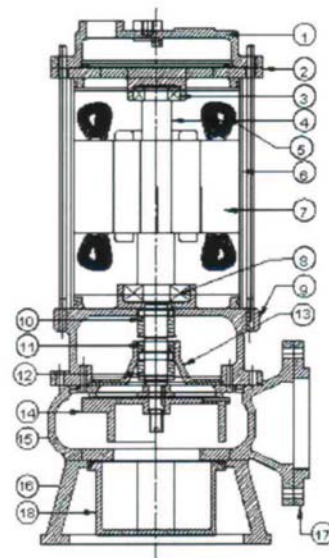
Cross Sectional Drawings

0.5 HP to 3 HP



No.	ITEM	QTY
1	TOP COVER	1
2	TOP END SHIELD	1
3	MOTOR BODY	1
4	BEARING 6203ZZ	1
5	ROTOR SHAFT	1
6	STATOR STAMPING	1
7	BEARING 6204ZZ	1
8	MOTOR BASE	1
9	MECH. SEAL	2
10	BOTTOM PLATE	1
11	OIL SEAL	1
12	VOLUTE	1
13	IMPELLER	1
14	PUMP BASE	1

5 HP to 10 HP



NO.	ITEM	R.M.	QTY
1	TOP COVER	C.I.	1
2	TOP END SHIELD	C.I.	1
3	BALL BEARING 6204	STEEL	1
4	ROTOR SHAFT	SS 410	1
5	WINDING	SECW	1
6	MOTOR BODY	SS 304	1
7	STATOR STAMPING	SI-STEEL	1
8	BALL BEARING 6306	STEEL	1
9	MOTOR BASE	C.I.	1
10	MECH. SEAL	C/Cer	1
11	OIL SEAL	NITRILE	1
12	MECH. SEAL	SIC/SIC	1
13	SEAL HOUSING	C.I.	1
14	IMPELLER	C.I.	1
15	CASING	C.I.	1
16	PUMP BASE	C.I.	1
17	OUTLET FLANGE	C.I.	1
18	STRAINER	C.I.	1

Submersible Sewage pump supplied with manual transport handle / hooks. Available with / without float switch and cable. Discharge outlet Dia 2" / 3" / 4". Continuous service.

Construction:-

Discharge body in Grey Cast iron with anticorrosive treatment.
Impeller double / single vane, semi open, non-clog type. Pump with shredder Mechanism. Oil bath type Mechanical seal and Oil seal ensures a longer pump life.
Motor Housing and handle in stainless steel.
Long life with less maintenance cost.
Quiet in Operation and easy to carry and handle.

Motor:-

Single phase / Three phase motor with IP-68 Protection. Capacitor embedded in pump itself.

PERFORMANCE TABLE

PERFORMANCE TABLE FOR SEWAGE PUMPS WITH OPEN IMPELLER

Power Supply :- 230 V 1 phase 50 Hz AC Supply

Pump Model	Hp	Ph	Del Size	HEAD IN METERS	Discharge in LPM at corresponding Head in meters																
					90	150	200	250	300	350	400	450	500	600	650						
RPS 0.5	0.5	1	1.5"	HEAD IN METERS	7.0	5.0	3.0														
RPS 0.5		3																			
RPS 01	1.0	1	1.5 "		9.0	8.0	6.0	4.0													
RPS 01		3																			
RPS 01 SPL	1.0	1	2"		9.0	8.0	7.0	-	6.0	-	3.0	-	-	-	-	-	-	-	-	-	-
RPS 1.5	1.5	1	2"		12.0	11.0	9.0	8.0	6.0	5.0	4.0	3.0									
RPS 1.5		3																			
RPS 2.0	2.0	1	2"		15.5	14.0	12.5	11.0	10.0	8.0	5.0	4.0	3.0								
RPS 2.0		3																			
RPS 3.0	3.0	3	3"		-	20	-	-	18	-	-	15	2	9	6						

Solid handling capacity for 0.5 Hp - 8 mm
1 hp to 2 hp - 12 mm
3 hp - 18 mm

Power Supply :- 415 V 3 phase 50 Hz AC Supply

Pump Model	HP / Kw	Ph	Del. Size	HEAD IN METERS	Discharge in LPM at corresponding Head in meters												
					200	300	400	600	850	1050	1150	1350	1600	1800	2100		
RPS 5.0	5/3.7	3	4"	HEAD IN METERS	20	18	16	14	10	8	4						
RPS 7.5	7.5 /5.6	3	4"	HEAD IN METERS	-	-	24	22	19	16	-	12	9	7	4		
RPS 10	10/7.5	3	4"	HEAD IN METERS	-	28	-	24	-	20	-	15	10	8	3		

Solid handling capacity for 5 Hp & 7.5 Hp – 22 mm
10 Hp – 30 mm

PERFORMANCE TABLE FOR SEWAGE PUMPS WITH VORTEX IMPELLER

Models	HP	Ph	Solid handled in MM	Head in mtrs	15	14	13	12	10	9	8	7	6	5	4
RPS 1.5	1.5	1	30	Q LPM	-	-	-	-	-	-	-	170	240	300	-
RPS 1.5	1.5	3	30	Q LPM	-	-	-	-	-	-	-	170	240	300	-
RPS 2.0	2.0	1	30	Q LPM	-	-	-	-	-	-	100	200	300	340	380
RPS 2.0	2.0	3	30	Q LPM	-	-	-	-	-	-	100	200	300	340	380
RPS 3.0	3.0	3	40	Q LPM	-	-	-	-	100	200	240	340	400	-	-
RPS 5.0	5.0	3	50	Q LPM	-	200	410	615	720	810	890	910	930	950	975
RPS 7.5	7.5	3	50	Q LPM	150	300	580	750	950	980	1000	1100	1210	1250	1280

Applications:-

Pumping of raw unscreened Sewage, Storm Water, Hostel, Lift irrigation, Paper Mills, ETP, Drainage System, waste water treatments, septic systems, campgrounds, basements, construction drainage and other applications requiring sewage water removal.

Waste water treatment plant / small scale sewage treatment plant / water containing sludge & scum / Live stock farm / hotels, restaurant, other public building / water containing fiber & admixtures from factories / Manhole sewage water



**ROKADE
PUMPS**

ROKADE RotoTechniks

Factory & Office: Plot No. R-375, TTC Indl. Area, MIDC., Rabele, Navi Mumbai - 400 701 (M.S.)

Tel: 022 - 2760200 / 2002, 21737777 / 7778 / 7779 • Fax: 022 - 21737788

Email: sales@rokadepumps.com, admin@rokadepumps.com

Website: www.rokadepumps.com