



THE PRIMARY SOURCE FOR ELECTRONIC INDUSTRY  
**CALONIX ELECTRONICS PVT. LTD.**

MANUFACTURERS OF : TOGGLE, ROCKER & PUSH BUTTON SWITCHES

Exporter To U.S.A.

www.calonix.net

**TOGGLE SWITCHES**

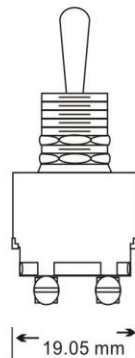
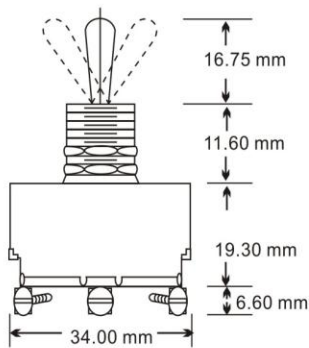
**SPDT / DPDT 10/16 Amp Switches**



ON - OFF  
 ON - NONE - ON  
 ON - OFF - ON



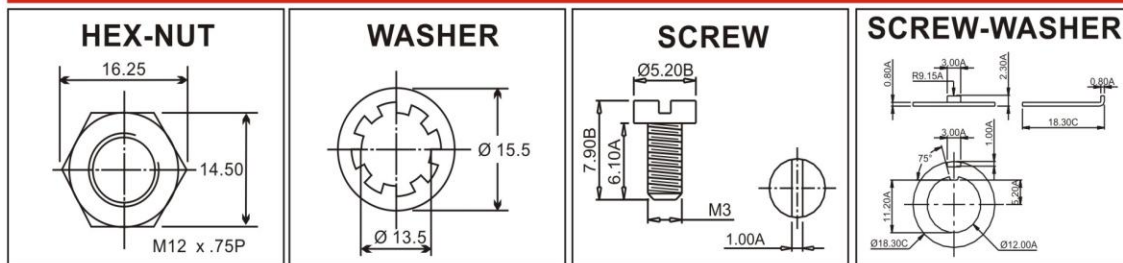
ON - NONE - ON  
 ON - OFF - ON



TERMINAL OPTION  
 SCREW & SOLDER TYPE



**MOUNTING HARDWARE**



*Nut, Washer & Locking-Ring are of Ni plated*

**SPECIFICATIONS :**

- CONTACT RATING** - 10/16 amp with resistive load @ 250 V AC or 93 V DC or 16 amp with resistive load @ 250 V AC or 140 V DC
- INSULATION RESISTANCE** - 1,000 Megaohms. min.
- AMBIENT TEMP.:** - 20° C to 65° C
- ELECTRICAL LIFE** : 10,000 Cycles min.
- DIELECTRIC STRENGTH** - 1500 V RMS @ Sea level

**MATERIAL :**

- CASE** - High Temperature Thermoplastic
- TOGGLE HANDLE** - Brass, Nickel Plated,
- BUSHING** - Brass, Nickel Plated,
- HOUSING** - Steel, Nickel Plated
- TERMINAL** - Brass, Nickel Plated
- HARDWARE** - Nut - Brass, Nickel Plated,  
 Washer - steel bright Nickel Plated