

ENDO SPRING BALANCERS

What is Spring balancers?

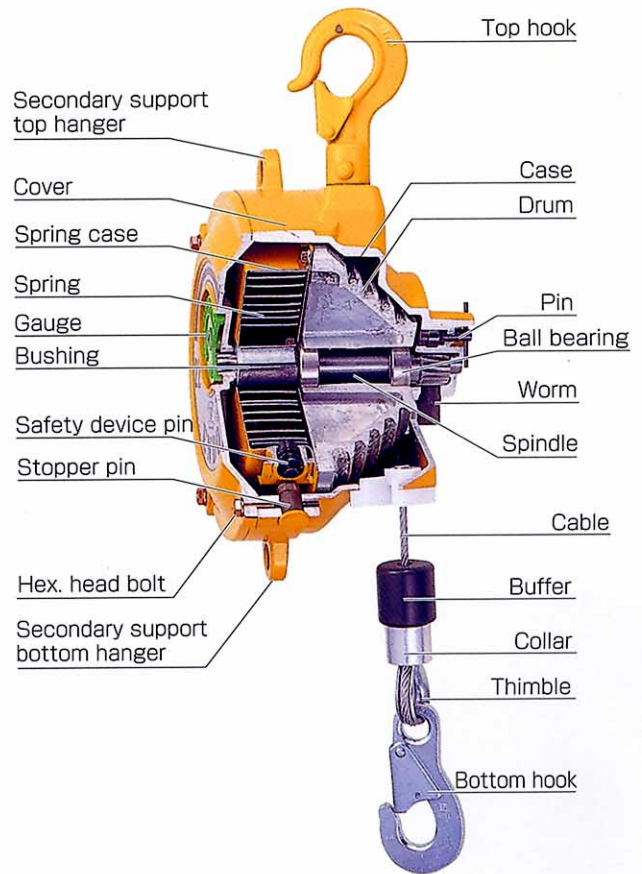
The tension is kept stable on even if the cable is pulled out or retrieved because of the tapered drum. So Spring balancers can hold the tools suspended in hollow and work for flexible positioning of the tools. Workers can enjoy comfortable operation with less fatigue.

ENDO Spring balancers can play their active parts in;

- Suspending a tool for product assembly line.
- Frequent fastening screws, bolts and nuts.
- Suspending a jig, tool, welding gun etc.

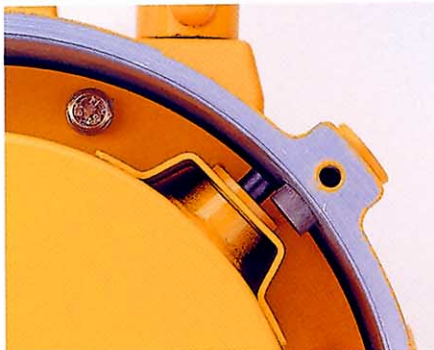
Advantage

- The balancers improve working efficiency and diminish worker fatigue.
- The balancers make the position of a tool stable and contribute to accurate work.
- The balancers are available for keeping a tool clean.
- Any electric or pneumatic power is not required and safe working is achieved.



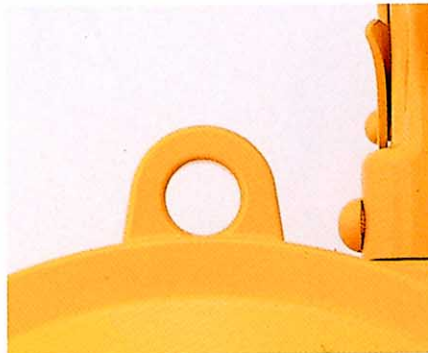
Features

*All features are not always available on all balancers.



Fall arrest devices

The fall arrest device is provided against tool drop caused by spring breakage.



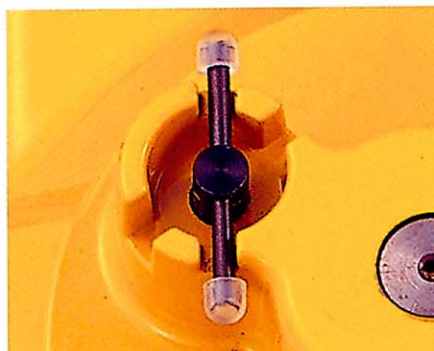
Secondary support hanger

The secondary support hanger is available on every model.



Gauge

The gauge indication contributes to worker recognition on tension adjustment.



Drum lock system

Drum lock is available for easy tool or cable replacement.



Cartridge spring

Cartridge spring provides easy and safe spring replacement.



Wire rope replacement

The plug fixing system provides the easy cable replacement.