

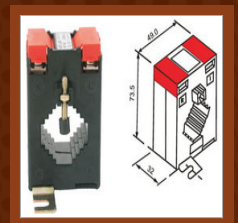
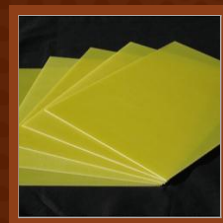
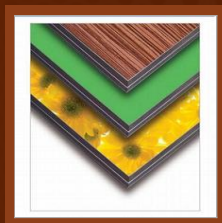
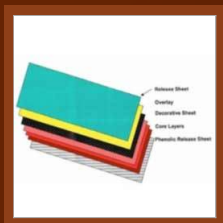
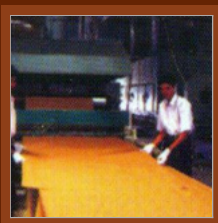
Gopinath Enterprise

Ahmedabad, Gujarat, India



Corporate Brochure

Our organization is counted among established suppliers and exporters of a diverse range of laminate sheets and electrical products. Despite the diversity in our range the common feature that cements our range is its durability and superior quality.



Gopinath Enterprise

About Us

Incepted in the year 2000, Gopinath Enterprise is well-known in supplying and exporting an extensive assortment of **laminated sheets, electrical products and others like fabric base laminates, paper base laminates, insulation molded rod, colorful laminates and many more.** We possess nearly a decade of experience and expertise in the field of laminated sheets and electrical products exporting. In order to make our position firm in the industry we have established long-term business relation with our clients as well as our prospective buyers. We have always planned to continuously expand our activities in export operations. This explains our commitment as a customer driven organization and our aim to keep our clients satisfied in every possible manner.

We possess latest machines and equipment in our warehouse which enables us to test our range of laminated sheets and electrical products on the industry set parameters. These facilities have greatly worked in favor of our organization and therefore, we have been able to establish our name among prominent industry players. Our facilities along with the collaborative effort of our efficacious team assist us in carving a niche in the industry. We have trained our personnel to closely monitor step by step process and avoid allowing any discrepancy in any of the quality parameters.

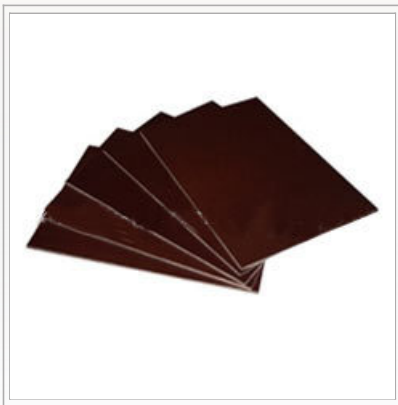
The effective functioning of our organization is headed by the guidance and direction of our C.E.O Mr. Nimesh Shah. His extensive industry experience and in depth market analysis skills helps us in catering to the requirements of our clients. Thus, we are successful and growing in leaps and bounds in broadening our horizon in every direction.

Gopinath Enterprise

Laminate Sheets & Electrical Products

Industrial Laminates Paper & Bakelite Sheets

Our range of high grade lamination sheets include Industrial Laminates Paper, fabric base electrical and mechanical - bakelite sheets which are offered in various grades. The entire assortment of our industrial laminates paper, fabric base electrical and mechanical - bakelite sheets and industrial laminate sheets, epoxy laminate sheet are procured from reliable vendors.



**Industrial Laminate
Sheets - Paper Base**



Fabric Phenolic Laminates



**Electric Insulation Molded
Rod (Cotton Cloth Based)**

Gopinath Enterprise

Laminate Sheets & Electrical Products

Double Side & Single Side Decorative Laminate Sheets

HPL - HIGH PRESSURE LAMINATES comprise of top-quality materials with excellent technical properties. High Pressure Laminates designed for both horizontal and vertical applications where appearance, durability, resistance to stains and can withstand heat up to 275°F (135°C) for short periods of time.



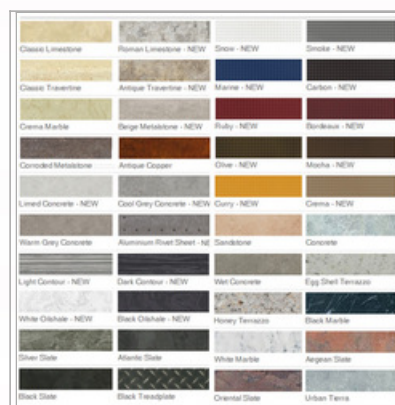
Standard Grades Of Laminate



Plain Colors Laminates



Wood Grains Laminate



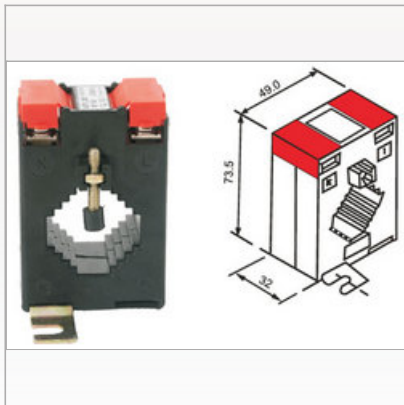
Abstracts Stone Laminate

Gopinath Enterprise

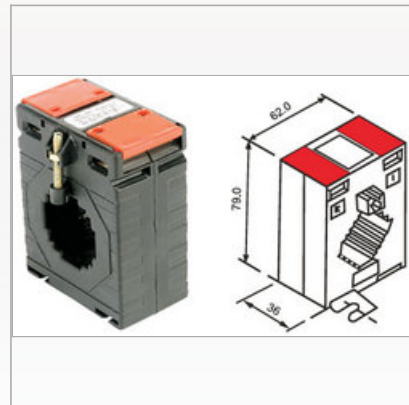
Laminate Sheets & Electrical Products

Current Transformer

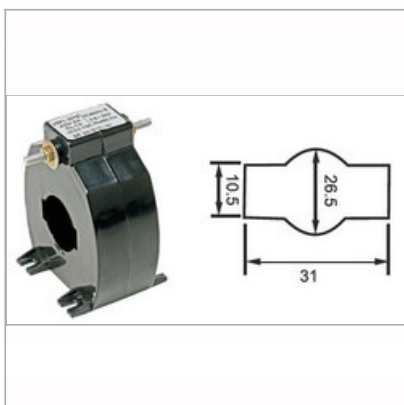
Our organization is counted among established suppliers and exporters of Current Transformer. Salient features of our range of laminate sheets are water proof, anti-skid, versatile sizes and interior complementing colors, glossy, durable and other features.



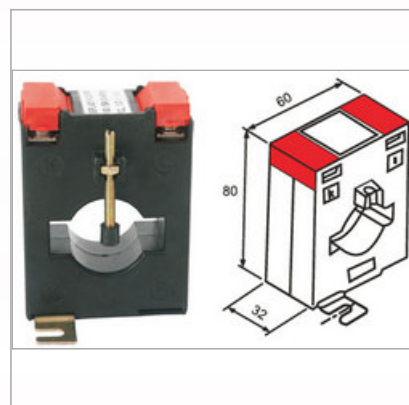
MODEL 301



MODEL 3301



MODEL 301E



MODEL 401

Gopinath Enterprise

Laminate Sheets & Electrical Products

Earth Leakage Relay

Earth Leakage Relay provides protection against earth leakage as the unit gives a trip command to the control device. An earth fault current produces an output in the CT which is fed to the Earth Leakage Relay. If the fault current exceeds the adjustable trip setting of the relay, the unit trips.



Digital Earth Leakage Relay



Analog Earth Leakage Relay



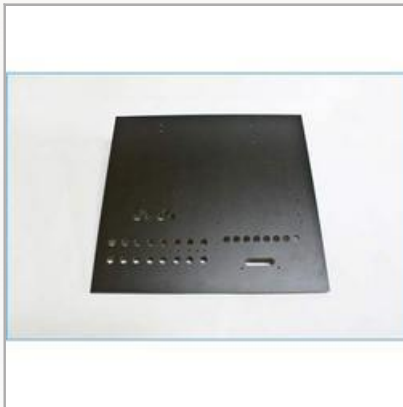
Core Balance CT (ZCT)

Gopinath Enterprise

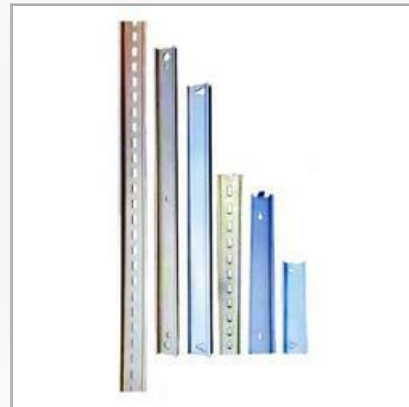
Laminate Sheets & Electrical Products

Control Panels & Switchboard Components

Our organization is counted among established suppliers and exporters of Control Panels & Switchboard Components. Salient features of our range of laminate sheets are water proof, anti-skid, versatile sizes and interior complementing colors, glossy, durable and other features.



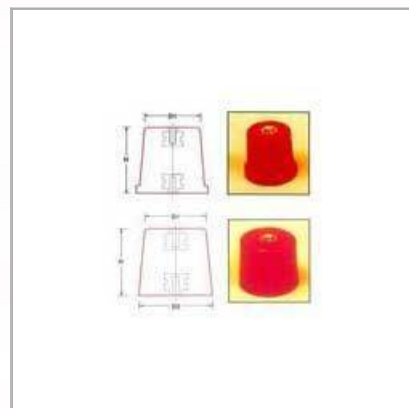
Switch Panel / Meter Panel



Metal Din Rail (Mounting Rail)



Brass Neutral Links



Busbar Support Insulators

Gopinath Enterprise

Laminate Sheets & Electrical Products

Other Products



Compact Laminates



G10/FR4 Glass Epoxy Sheet



Tinned Copper Bushes

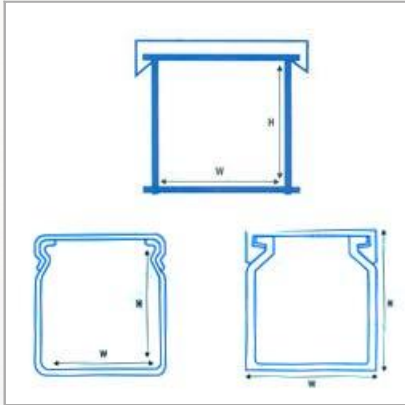


Panel Accessories, Insulator, Panel Locks Etc

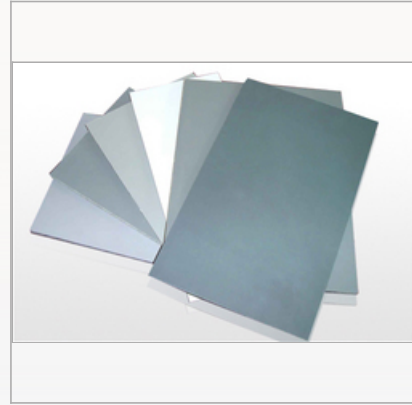
Gopinath Enterprise

Laminate Sheets & Electrical Products

Other Products



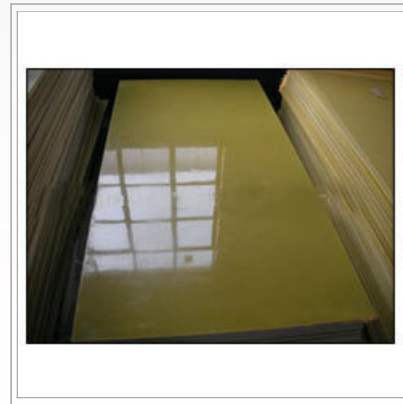
Cable Trunking



PVC Rigid Sheets



Densified Laminated
Wood Boards



Epoxy Laminate Sheet

Gopinath Enterprise

Laminate Sheets & Electrical Products

Other Products



Fiber Textolite Bearing & Fiber Products



Low-Volt & High Volt Switchgear Parts



Resin Cast Current Transformer



Encapsulated / Tape wound CT

Gopinath Enterprise

Company Factsheet

Year of Establishment	1998
Nature of Business	<ul style="list-style-type: none">› Supplier› Distributor› Manufacturer› Exporter› Wholesaler
Total Number of Employees	Upto 10 People
Turnover	Upto US\$ 0.25 Million (or upto Rs. 1 Crore Approx.)
Major Markets	<ul style="list-style-type: none">› Indian Subcontinent
Primary Competitive Advantage	<ul style="list-style-type: none">› Experienced R & D Department› Good Financial Position & TQM› Large Product Line› Provide Customized Solutions

Gopinath Enterprise

Contact Us

Contact Details

Gopinath Enterprise

Mr. Nimesh Shah

No. 202, Rhytham Business Mart, Ambawadi

Ahmedabad, Gujarat - 380 015, India

Website: www.indiamart.com/gopinath-enterprise