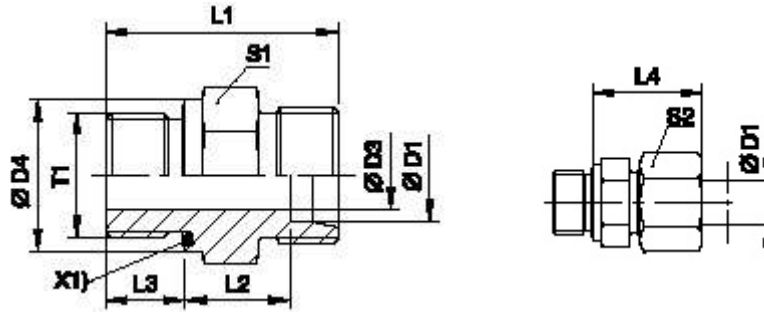


HYDROTEK ENGINEERS & CONTRACTORS, GHAZIABAD

GE –SR- STRAIGHT CONNECTOR(PMSC)
GE-SRED -CONNECTOR(ELASTOMERIC SEALING)
FOR BSPT TAPER THREAD ALSO AVAILABLE
24° CONE END
FOR
AVAILABLE IN CARBON STEEL & STAINLESS STEEL.



SERIES	DIN2353 SPEC.	T BSP/BSPT THREAD	T-METRIC THREAD	D1	D3	D4	L1	L2	L3	L4	S1	S2
S	GE06SR	¼"	M12 x 1.5	06	4.0	19	32	13	12	28	19	17
	GE06SR1/4	1/8"	-	06	4.0	14	27.5	10	8	27	14	17
	GE06SR3/8	3/8"	-	06	4.0	22	34.5	11.5	12	30	22	17
	GE06SR1/2	½"	-	06	4.0	27	39	12	14	33	27	17
	GE08SR	¼"	M14 x 1.5	08	5.0	19	34	15	12	30	19	17
	GE08SR3/8	3/8"		08	5.0	22	34.5	15.5	12	30	22	17
	GE08SR1/2	½"		08	5.0	27	39	18	14	33	27	17
	GE10SR	3/8"	M16 x 1.5	10	7.0	22	34.5	15	12	31	22	22
	GE10SR1/2	½"		10	7.0	27	39	17.5	14	34	27	22
	GE12SR	3/8"	M18 x 1.5	12	8.0	22	36.5	17	12	33	22	24
	GE14SR	½"	M20 x 1.5	14	10	27	41	19	14	37	27	27
	GE16SR3/8	3/8"		16	8.0	22	38.5	18	12	29	27	30
	GE16SR3/4	¾"		16	12.0	32	45	21	16	30	32	30
	GE16SR	½"	M22 x 1.5	16	10.0	27	41	20.5	14	36	27	30
	GE20SR	¾"	M26 x 1.5	20	16.0	32	47	20.5	16	42	32	36
	GE20SR1/2	½"		20	12.0	27	45	13	14	42	32	36
	GE20SR1	1"		20	16.0	40	51	15	18	44	41	36
	GE25SR	1"		25	20.0	40	53	23	18	47	41	46
	GE25SR3/4	¾"		25	16.0	32	51	23	16	47	41	46
	GE30SR	1. ¼"	M42 x 2	30	25.0	50	57	23.5	20	50	50	50
GE38SR	1.½"	M48 x 2	38	32.0	55	64	26	22	57	55	60	