

KNIFE GATE VALVES

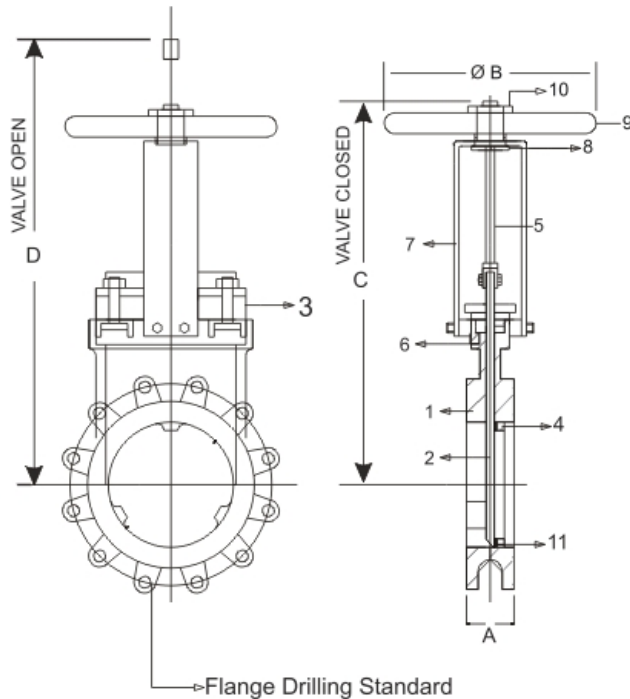
Fluidtecq... Quality with Responsibility

F FLUIDTECQ
PNEUMATICS (P). LTD.

All dimensions are in mm.

Size	50	80	100	125	150	200	250	300	350	400	450	500	600
A	48	51	51	57	57	70	70	76	76	89	89	114	114
B	203	203	203	254	254	305	406	406	508	508	508	508	508
C	310	375	420	470	510	610	665	755	885	900	1025	1140	1340
D	365	465	540	610	670	825	935	1075	1250	1350	1515	1690	1990
E	468	560	622	726	786	958	1109	1280	1436	1495	1676	1891	2195

Dimensions given above are indicative. Please request for certified drawing for piping layout.



SR. NO	PART	SPECIFICATIONS	QTY.
1	Body Chest	Solid one piece casting of CI / CF8 / CF8M and special alloys for higher temperatures	1
2	Gate	Stainless Steel AISI SS304, 316, 316L, 317, 317L	1
3	Gland	CI FG 260	1
4	Seat	Integral (Metal to metal)- CI FG260, EPDM, VITON®, TEFLON®	1
5	Screw Spindle	Stainless Steel 410, 304, 316	1
6	Gland Packing	PTFE Impregnated, PTFE	2
7	Yoke	One piece in IS 2062 Plate	1
8	Nut	Brass	1
9	Hand Wheel	Cast Iron, Cast Steel, Ductile Iron	1
10	Checknut	EN9	1
11	Seal Ring	EPDM	1

Specifications :

Size	2" (50NB) to 24" (600NB). For sizes above 24" consult factory
Type	Uni-Directional / Bi-Directional
Pressure	150 psi
Temperature	0 °C to 1200 °C
Design Standard	MSS SP 81
Testing Standard	MSS SP 81
Ends	Full Lugs, Wafer Type, Flange less, Flange Type
Port	Standard (Round), V Port, Rectangular, Square, Diamond.
Stem	Rising / Non-rising stem
Operation	Manual Hand Wheel / Chain Wheel / Gear / Pneumatic -Double or Single acting / Electric Actuator operated
Drilling	As Per ANSI B 16.5 / BS / DIN / JIS / IS Standard, Others on request

