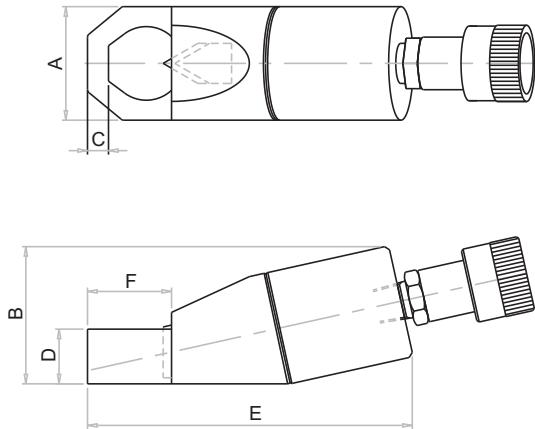


Nut Splitters

Range M6 - M48 / Max. Working Pressure 700 bar



Application

- The fast, sure and safe method to cut and remove seized nuts. Compact and ergonomic angled head design.
- Heavy duty cutting tool, can be re-ground.

ONS Series

O Orione N Nut S Splitter

Model	Hex Size (mm)	Thread Size (mm)	A (mm)	B (mm)	C (mm)	D (mm)	E (mm)	F (mm)	Wt. (Approx.) (kg)
ONS-5	10-19	M6-M12	40	52	8	20	130	30	1
ONS-10	19-24	M12-M16	54	67	12	24	163	41	2
ONS-15	24-32	M16-M22	64	79	13	30	187	52	3
ONS-20	32-41	M22-M27	78	94	20	37	219	69	4.5
ONS-35	41-50	M27-M33	95	113	21	45	265	78	9.6
ONS-50	50-60	M33-M39	106	128	25	54	297	91	13
ONS-90	60-75	M39-M48	156	185	27	75	357	110	34

- Higher capacity and customized solutions on request.
- Specifications are subject to change due to continual improvement.