

CyberScan™ lite

High Speed Dome Camera X10

FEATURES

- Indoor Operation
- Sony 1/4" Super HAD CCD
- Built-in X10 Auto Focus Optical Zoom Lens (X10 Digital Zoom)
- Digital Signal Process
- Horizontal Resolution of 500TVL(Color)/570TVL(B/W)

- Day&Night (Auto ICR)
- Programmable User Preferences (Alarm, Preset, Title, etc)
- 0.0075° Preset Accuracy
- Auto Flip (180° Dome Rotation)
- Programmable Vector and Diagonal Scan during Auto Tour
- Camera Direction OSD [North/South/East/West]
- Multi-Protocol & Multi-Baud Rate Support
- Motion Detection: 4 Programmable Zone per Screen
- Digital Noise Reduction (DNR)

- Built-in Power Surge/Lightning Protection
- Flush Mount Hardware w/Surface Mount Plate In a Single Package
- Material : Polycarbonate, Aluminum,ABS
- DC24V/AC24V
- CE, FCC, RoHS Compliance



SPECIFICATIONS

GENERAL	
Signal System	NTSC or PAL
Image Device	Sony 1/4" Super HAD CCD
Lens	X10 Auto Focus Zoom (F1.8, f=3.8~38mm)
Scanning System	2:1 Interlace
Scannig Frequency	(H)15.734KHz(V)59.94Hz(NTSC), (H)15.625KHz(V)50Hz(PAL)
Sync. System	Internal/External
S/N Ratio	More Than 50 dB(AGC Off)
Total Pixel	410K(NTSC) / 470K(PAL)
Effective Pixel	(H)768 x (V)494(NTSC) / (H)752 x (V)582(PAL)
Day&Night (Auto ICR)	Filter Changeable Day&Night
Horizontal Resolution	500TVL(Color) / 570TVL(B/W)
Minimum Illumination	0.7 Lux(50 IRE): D/N Off 0.02 Lux(50 IRE): D/N On
Video Output Signal	Composite(1.0Vp-p), 75ohm
Control Method	RS-485/422, Baud Rate: 9600bps (OPT: 38400, 4800, 2400)
Camera ID	999
Electronic Shutter	1/60~120,000(NTSC), 1/50~120,000(PAL)
MECHANICAL	
Material	Polycarbonate, Aluminum, ABS
Certification	CE, FCC, RoHS Compliance

Model		GHSD-7410D	
Alarm Input		4 Input	
Alarm Output		2 Output	
Pan/Tilt Function	Panning Range & Speed	0°-360°, Max 430°/sec	
	Tilting Range & Speed	0°-93°, Max 90°/sec	
	Preset & Speed	319 Position, Max 500°/sec	
	Auto Scan	8 Including Vector Scan	
	Guard Tour	8 Guard Tour	
	Pattern	4 Pattern	
Privacy Zone Masking		1 Zone	
Electrical			
Power Source		DC24V/AC24V	
Power Consumption		1A	
Environmental			
Operating Temperature		32°F~122°F (0°C~50°C)	
Operating Humidity		Up to 80%RH (Non-condensing)	
Storage Temperature		-4°F~140°F (-20°C~60°C)	
Mechanical			
Color		Ivory	
Weight		1,400g	
Dimension(mm)		170(W) x 148(H)	

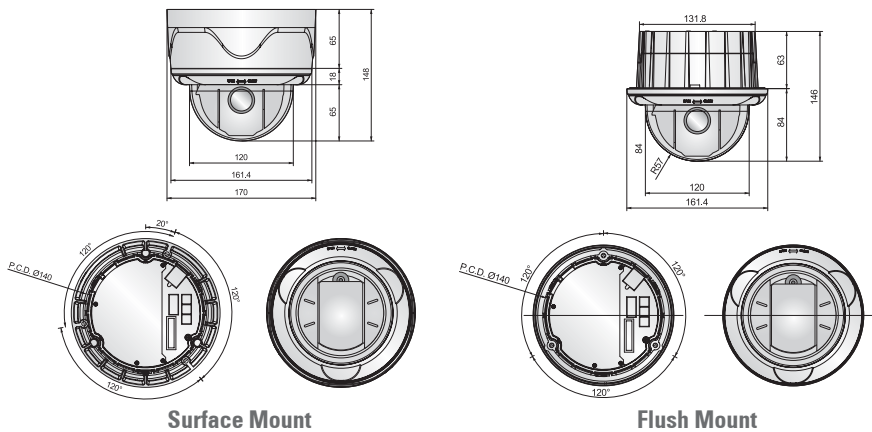


Surface Mount

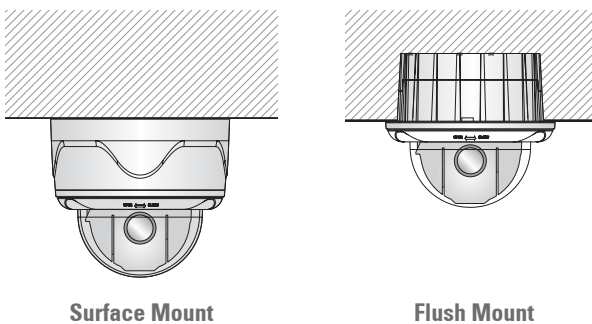


Flush Mount

DIMENSION (unit:mm)



INSTALLATION



Surface Mount

Flush Mount

