

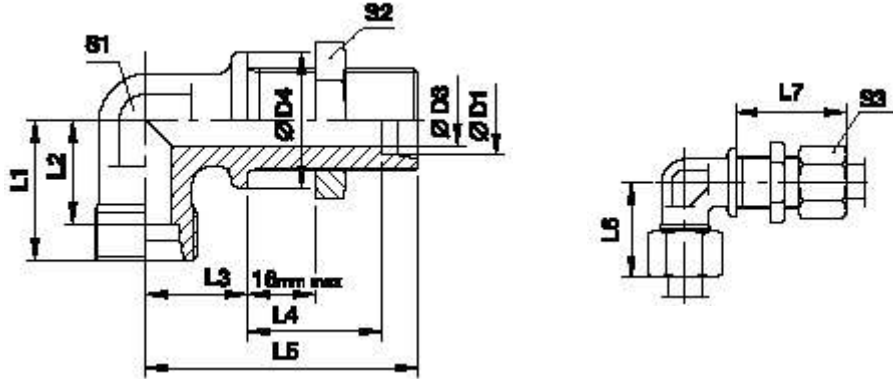
# HYDROTEK ENGINEERS & CONTRACTORS, GHAZIABAD

## WSV– BULKHEAD ELBOW COUPLING(BULKHEAD ELBOW)

24° CONE END

AVAILABLE IN CARBON STEEL & STAINLESS STEEL.

UNEQUAL REDUCING ELBOW ALSO AVAILABLE ON REQUEST.



SERIES	DIN2353 SPEC.	D1	D3	D4	L1	L2	L3	L4	L5	L6	S1	S2	S3
L	WSV06L	06	4.0	17	19	12	39	27	48	27	12	17	14
	WSV08L	08	6.0	19	21	14	40	27	51	29	12	19	17
	WSV10L	10	8.0	22	22	15	42	28	53	30	14	22	19
	WSV12L	12	10.0	24	24	17	43	29	56	32	17	24	22
	WSV15L	15	12.0	27	28	21	46	31	61	36	19	30	27
	WSV18L	18	15.0	32	31	28.5	48	32.5	64	40	24	36	32
	WSV22L	22	19.0	36	35	27.5	52	34.5	72	44	27	36	36
	WSV28L	28	24.0	41	38	30.5	54	35.5	77	47	36	41	41
	WSV35L	35	30.0	50	45	34.5	63	36	86	56	41	46	50
WSV42L	42	36.0	60	51	40	66	36	90	63	50	55	60	
S	WSV06S	06	4.0	19	23	16	45	29	53	44	12	19	17
	WSV08S	08	5.0	22	24	17	47	29	54	44	14	22	19
	WSV10S	10	6.0	24	25	17.5	49	29.5	57	46	17	24	22
	WSV12S	12	8.0	27	29	21.5	51	30.5	59	47	17	27	24
	WSV14S	14	10.0	27	30	22	57	32	63	50	19	30	27
	WSV16S	16	12.0	30	33	24.5	57	31.5	64	50	24	32	30
	WSV20S	20	16.0	36	37	26.5	66	33.5	74	55	27	41	36
	WSV25S	25	20.0	41	42	30	74	35	81	59	36	46	46
	WSV30S	30	25.0	50	49	35.5	80	35	90	64	41	50	50
WSV38S	38	32.0	60	57	41	90	37	96	68	50	65	60	