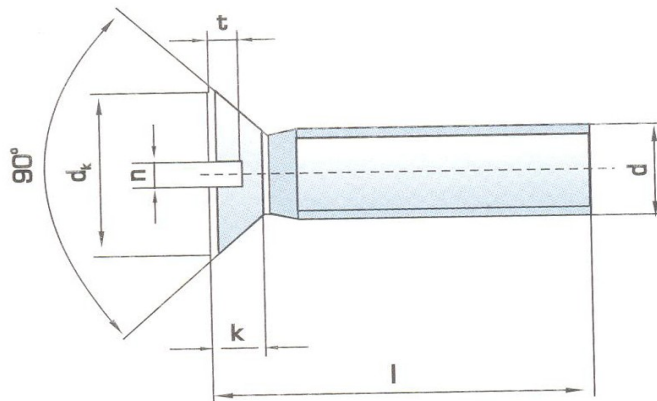


# DIN 963 / IS : 1365 -1978 / ISO 2009

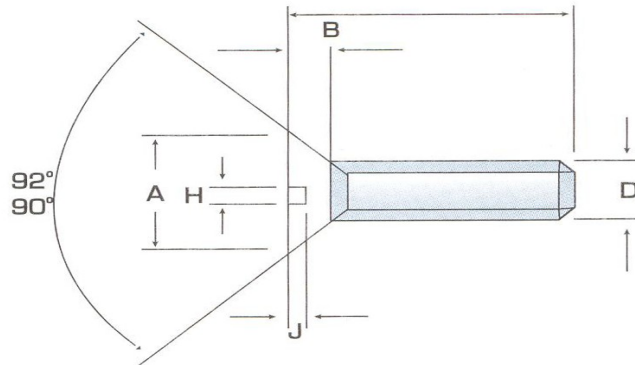
## Slotted Countersunk Head Screws



Thread size d	M 2	(M 2.5)	M 3	M 3.5	M 4	M 5	M 6	M 8	M 10	M 12	M 16	
Pitch	0.4	0.45	0.5	0.6	0.7	0.8	1	1.25	1.5	1.75	2	
$d_k$	max.	3.8	4.7	5.6	6.5	7.5	9.2	11	14.5	18	22	29
	min.	3.5	4.4	5.3	6.14	7.14	8.84	10.57	14.07	17.57	21.48	28.48
$k$ max.	1.2	1.5	1.65	1.93	2.2	2.5	3	4	5	6	8	
n	min	0.5	0.6	0.8	0.8	1.0	1.2	1.6	2.0	2.5	3.0	4.0
	max	0.7	0.8	1	1	1.2	1.51	1.91	2.31	2.81	3.31	4.37
t	min	0.4	0.5	0.6	0.7	0.8	1	1.2	1.6	2	2.4	3.2
	max	0.6	0.7	0.85	1	1.1	1.3	1.6	2.1	2.6	3	4

# BS 450 / 1958

## Countersunk Head Screws



Nom. Size of Screw	Basic Diam.	Threads per Inch	A		B	H		Depth of Slot J.
			Max.	Min.		Max.	Min.	
1/8	0.1250	40	0.219	0.201	0.056	0.039	0.032	0.027
3/16	0.1875	24	0.328	0.307	0.084	0.050	0.042	0.041
7/32	0.2188	..	0.383	0.366	0.098	0.055	0.046	0.048
1/4	0.2500	20	0.438	0.412	0.113	0.061	0.051	0.055
5/16	0.3125	18	0.547	0.518	0.141	0.071	0.061	0.069
3/8	0.3750	16	0.656	0.624	0.169	0.082	0.072	0.083

