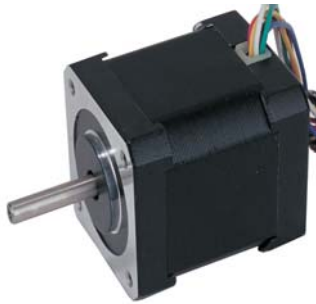




□20mm Series YAKO 2-phases hybrid stepping motor



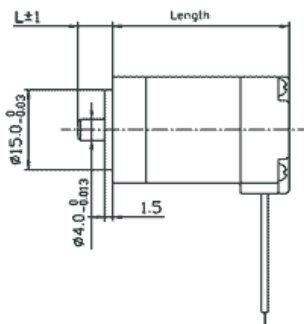
General specifications

Step angle accuracy:	5%
Temperature:	80 C Max
Ambient Temperature:	-20 C-+50 C
Insulation Resistance:	100M Ω Min 500VDC
Voltage endurance:	500V AC 1minute
Shaft Radial Play:	Max0.06mm(450g)
Shaft Axial Play:	Max0.08mm (450g)

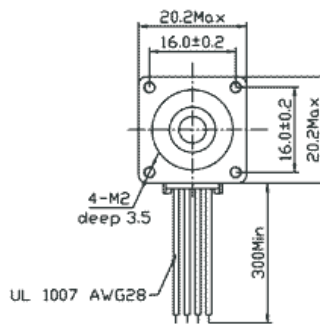
Specifications

Model	Step Angle (°)	Voltage (V)	Length L(mm)	Holding Torque (g.cm)	Current (A/phase)	Resistance (Ω)	Inductance (mH)	Roter inertia (kg.cm ²)	Weight (kg)	Motor Leads
YK20HB30-0604A	1.8	3.9	30	180	0.6	6.5	1.7	2.0x10 ⁻⁷	0.06	4
YK20HB33-0604A		3.9	33	180	0.6	6.5	1.7	2.0x10 ⁻⁷	0.06	4
YK20HB42-0804A		4.32	42	300	0.8	5.4	1.5	3.6x10 ⁻⁷	0.08	4

Dimension



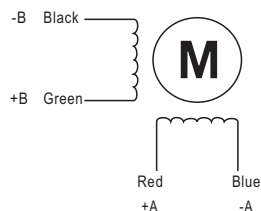
L= 6.5, 6.5, 15



Item	Shaft Diameter
YK20HB30-0604A	4.0mm
YK20HB33-0604A	4.0mm
YK20HB42-0804A	4.0mm

Connections

4 leads



□28mm Series YAKO 2-phases hybrid stepping motor



General specifications

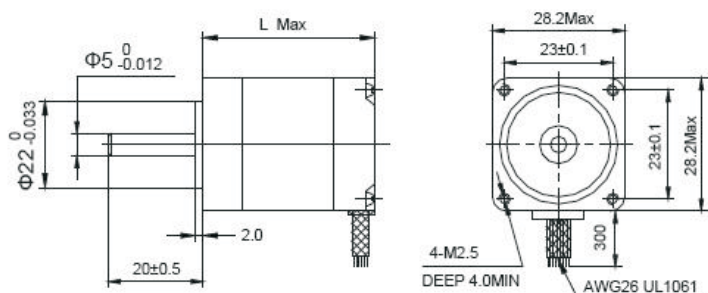
Step angle accuracy:	5%
Temperature:	80 C Max
Ambient Temperature:	-20 C-+50 C
Insulation Resistance:	100M Ω Min 500VDC
Voltage endurance:	500V AC 1minute
Shaft Radial Play:	Max0.06mm(450g)
Shaft Axial Play:	Max0.08mm (450g)

Specifications

Model	Step Angle (°)	Length L(mm)	Holding Torque (N.com.Min)	Detent Torque (N.cm.Max)	Current (A/phase)	Resistance (Ω)	Inductance (mH)	Roter inertia (g.cm ²)	Weight (kg)	Motor Leads
YK28HB28-01A	1.8	28	4.5	0.3	0.6	4.2	2.2	6	0.105	6
YK28HB50-01A		50	10	0.8	0.6	9.0	7.2	13	0.180	6

Please note that the last letter the motor item "A" refers to single shaft and "B" refers to double shaft.

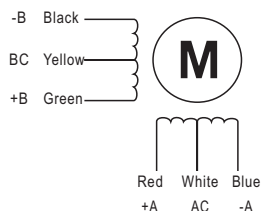
Dimension



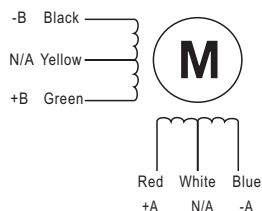
Item	Shaft Diameter
YK28HB28-01A	5.0mm
YK28HB50-01A	5.0mm

Connections

6 leads

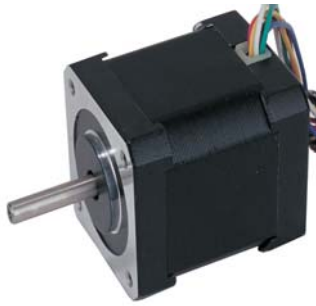


4 leads





□35mm Series YAKO 2-phases hybrid stepping motor



General specifications

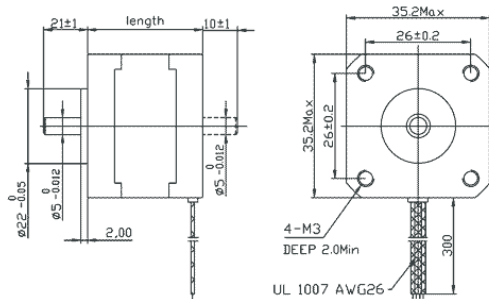
Step angle accuracy:	5%
Temperature:	80 C Max
Ambient Temperature:	-20 C-+50 C
Insulation Resistance:	100M Ω Min 500VDC
Voltage endurance:	500V AC 1minute
Shaft Radial Play:	Max0.06mm(450g)
Shaft Axial Play:	Max0.08mm (450g)

Specifications

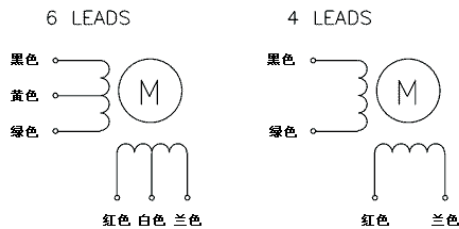
Model	Step Angle (°)	Length L(mm)	Holding Torque (N.com.Min)	Voltage (V/phase)	Current (A/phase)	Resistance (Ω)	Inductance (mH)	Roter inertia (g.cm ²)	Weight (kg)	Motor Leads
YK35HB26-0604A	1.8	26	0.51	3.24	0.6	5.4	3.5	10	0.13	4
YK35HB26-0284A		26	0.65	7.4	0.28	26	19.2	10	0.13	4
YK35HB28-0504A		28	1.0	10	0.5	20	13.5	10	0.14	4
YK35HB28-0406A		28	0.5	11.2	0.4	28	10	10	0.14	6
YK35HB36-0704A		36	0.92	1.4	0.7	2	2.9	14	0.18	4
YK35HB36-1004A		36	1.4	2.7	1.0	2.7	4.3	14	0.18	4

Please note that the last letter the motor item "A" refers to single shaft and "B" refers to double shaft.

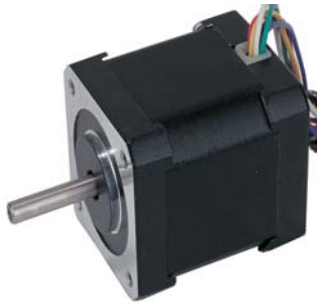
Dimension



Connections



□42mm Series YAKO 2-phases hybrid stepping motor



General specifications

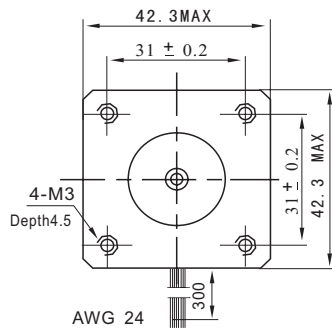
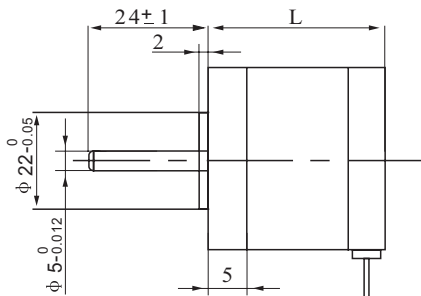
Step angle accuracy:	5%
Temperature:	80 C Max
Ambient Temperature:	-20 C-+50 C
Insulation Resistance:	100M Ω Min 500VDC
Voltage endurance:	500V AC 1minute
Shaft Radial Play:	Max0.06mm(450g)
Shaft Axial Play:	Max0.08mm (450g)

Specifications

Model	Step Angle (°)	Voltage (V)	Length L(mm)	Holding Torque (N.m)	Current (A/phase)	Resistance (Ω)	Inductance (mH)	Roter inertia (g.cm ²)	Weight (kg)	Motor Leads
YK42HB33-01A	1.8	4	33	0.16	0.95	4.2	2.5	35	0.22	6
YK42HB38-01A		4	38	0.26	1.2	3.3	3.2	54	0.28	6
YK42HB47-01A		4	47	0.32	1.2	3.3	2.8	68	0.35	6
YK42HB60-01A		7.2	60	0.65	1.2	6	7	102	0.5	6

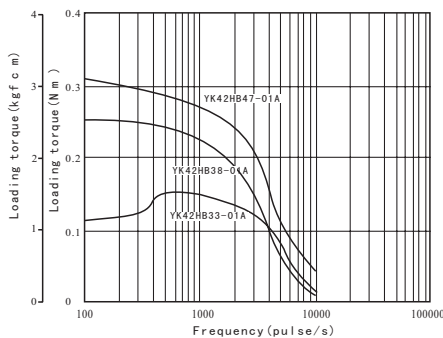
Please note that the last letter the motor item "A" refers to single shaft and "B" refers to double shaft.

Dimension



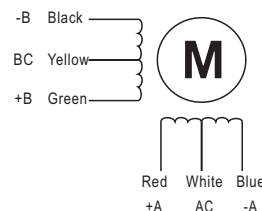
Item	Shaft Length
YK42HB33-01A	5.0mm
YK42HB38-01A	5.0mm
YK42HB47-01A	5.0mm
YK42HB60-01A	5.0mm

Frequency-torque characteristics

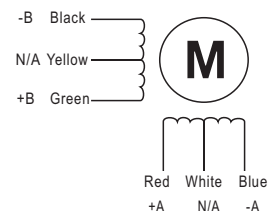


Connections

6 leads



4 leads





□57mm Series YAKO 2-phases hybrid stepping motor



General specifications

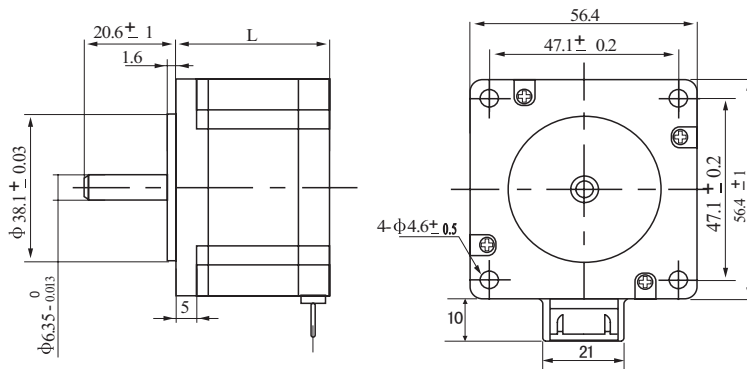
Step angle accuracy:	5%
Temperature:	80 C Max
Ambient Temperature:	-20 C-+50 C
Insulation Resistance:	100M Ω Min 500VDC
Voltage endurance:	500V AC 1minute
Shaft Radial Play:	Max0.06mm(450g)
Shaft Axial Play:	Max0.08mm (450g)

Specifications

Model	Step Angle (°)	Voltage (V)	Length L(mm)	Holding Torque (N.m)	Current (A/phase)	Resistance (Ω)	Inductance (mH)	Roter inertia (g.cm ²)	Weight (kg)	Motor Leads
YK57HB41-02A	1.8	2.8	41	0.39	2.0	1.4	1.4	120	0.45	6
YK57HB51-03A		2.2	51	0.72	3.0	0.74	0.9	275	0.65	6
YK57HB56-03A		2.3	56	0.90	3.0	0.75	1.1	300	0.7	6
YK57HB76-03A		3	76	1.35	3.0	1.0	1.6	480	1.0	6

Please note that the last letter the motor item "A" refers to single shaft and "B" refers to double shaft.

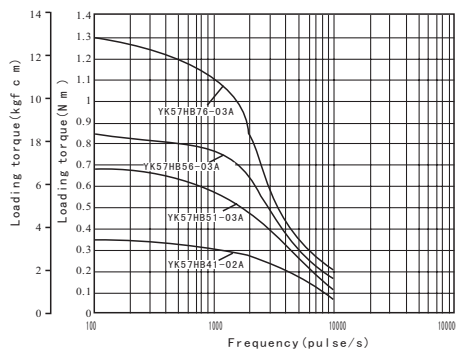
Dimension



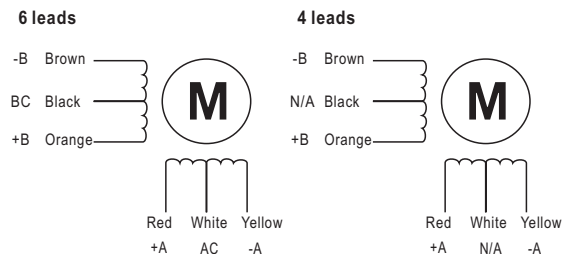
Item	Shaft Length	D-CUT
YK57HB41-02A	6.35mm	0.5*15mm
YK57HB51-03A	6.35mm	0.5*15mm
YK57HB56-03A	6.35mm	0.5*15mm
YK57HB76-03A	6.35mm	0.5*15mm

6.35

Frequency-torque characteristics



Connections



□57mm XN Series YAKO 2-phases hybrid stepping motor



General specifications

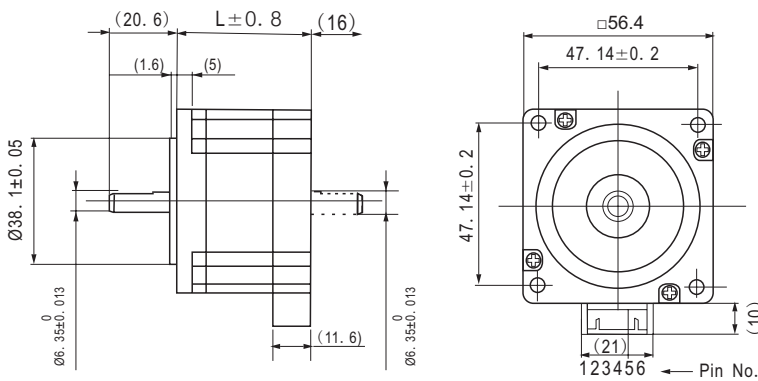
Step angle accuracy:	5%
Temperature:	80 C Max
Ambient Temperature:	-20 C-+50 C
Insulation Resistance:	100M Ω Min 500VDC
Voltage endurance:	500V AC 1minute
Shaft Radial Play:	Max0.06mm(450g)
Shaft Axial Play:	Max0.08mm (450g)

Specifications

Model	Step Angle (°)	Voltage (V)	Length L(mm)	Holding Torque (N.m)	Current (A/phase)	Resistance (Ω)	Inductance (mH)	Roter inertia (g.cm ²)	Weight (kg)	Motor Leads
YK57XN55-03A	1.8	2.4	54.5	0.925	3.0	0.8	1.3	245	0.75	6
YK57XN78-03A		3.6	77.5	1.57	3.0	1.2	2.2	470	0.95	6
YK57XN78-4208A		2.5	77.5	2.1	4.2	0.6	2.2	470	1.11	4

Please note that the last letter the motor item "A" refers to single shaft and "B" refers to double shaft.

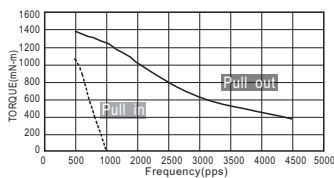
Dimension



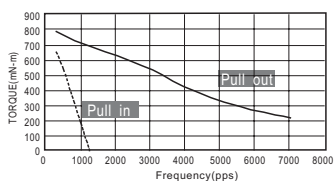
Item	Shaft diameter	D-Cut
YK57XN55-03A	6.35mm	0.5x15mm
YK57XN78-03A	6.35mm	0.5x15mm
YK57XN78-4208A	8mm	0.5x15mm

Frequency-torque characteristics

YK57XN78-03A
CURRENT=3.0A/Phase
EXITING MODE=2 Phase
INERTAL LOAD=100g.cm²

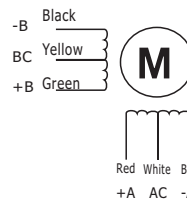


YK57XN55-03A
CURRENT=3.0A/Phase
EXITING MODE=2 Phase
INERTAL LOAD=100g.cm²

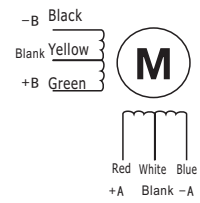


Connections

6 leads



4 leads





□60mm Series YAKO 2-phases hybrid stepping motor



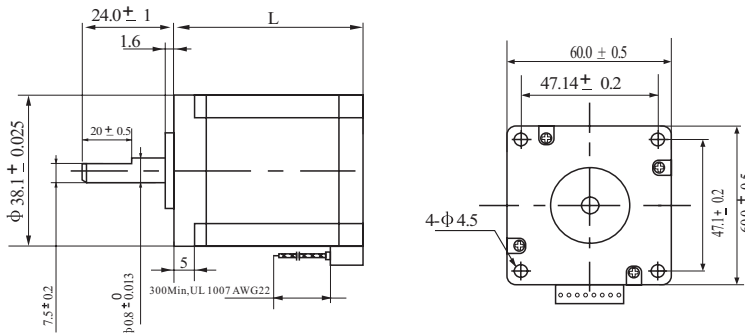
General specifications

Step angle accuracy:	5%
Temperature:	80 C Max
Ambient Temperature:	-20 C-+50 C
Insulation Resistance:	100M Ω Min 500VDC
Voltage endurance:	500V AC 1minute
Shaft Radial Play:	Max0.06mm(450g)
Shaft Axial Play:	Max0.08mm (450g)

Specifications

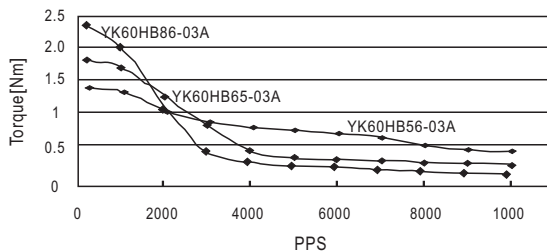
Model	Step Angle (°)	Voltage (V)	Length L(mm)	Holding Torque (N.m)	Current (A/phase)	Resistance (Ω)	Inductance (mH)	Roter inertia (g.cm ²)	Weight (kg)	Motor Leads
YK60HB56-03A	1.8	2.52	56	1.65	2.8	0.9	3.6	300	0.85	6
YK60HB65-03A		3.36	67	2.1	2.8	1.2	4.6	570	1.2	6
YK60HB86-03A		4.17	88	3.1	2.8	1.5	6.8	840	1.4	6

Dimension



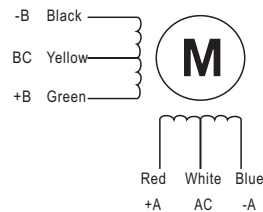
Item	Shaft Length	D-CUT
YK60HB56-03A	8.0mm	0.5*20mm
YK60HB65-03A	8.0mm	0.5*20mm
YK60HB86-03A	8.0mm	0.5*20mm

Frequency-torque characteristics

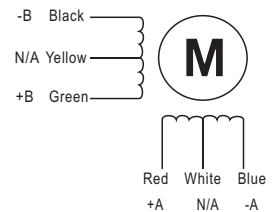


Connections

6 leads



4 leads



□86mm Series YAKO 2-phases hybrid stepping motor



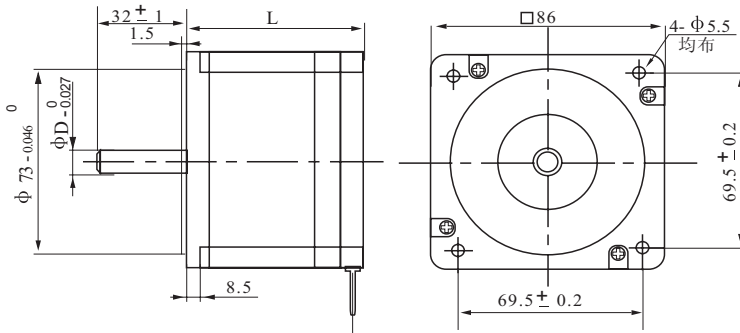
General specifications

Step angle accuracy:	5%
Temperature:	80 C Max
Ambient Temperature:	-20 C-+50 C
Insulation Resistance:	100M Ω Min 500VDC
Voltage endurance:	500V AC 1minute
Shaft Radial Play:	Max0.06mm(450g)
Shaft Axial Play:	Max0.08mm (450g)

Specifications

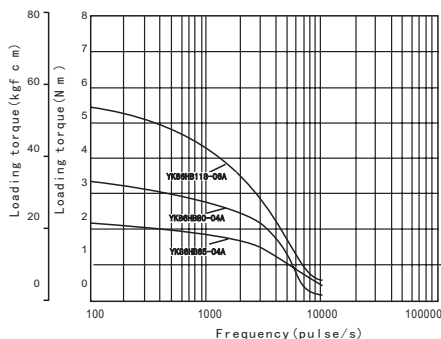
Model	Step Angle (°)	Length L(mm)	Holding Torque (N.m)	Current (A/phase)	Resistance (Ω)	Inductance (mH)	Roter inertia (g.cm ²)	Weight (kg)	Motor Leads
YK86HB65-04A	1.8	65	3.4	2.8	1.4	3.9	1000	1.7	8
YK86HB80-04A		80	4.6	4.2	0.75	3.4	1400	2.3	8
YK86HB118-06A		118	8.7	4.2	0.9	6.0	2700	3.8	8
YK86HB156-06A		156	12.2	4.2	1.25	8.0	4000	5.4	8

Dimension



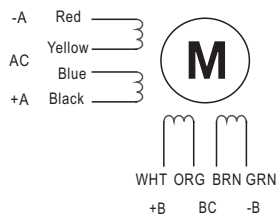
Item	Shaft Length	D-cut&Parallel slide
YK86HB65-04A	9.5mm	D-cut 1x25
YK86HB80-04A	12.7mm	D-cut 1x25
YK86HB118-06A	12.7mm	Parallel Slide5x5x20
YK86HB156-06A	15.875mm	Parallel Slide5x5x20

Frequency-torque characteristics

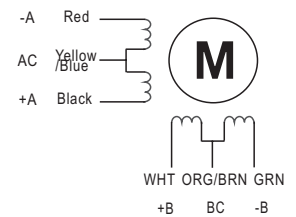


Connections

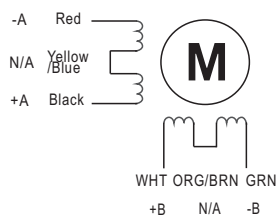
8 leads



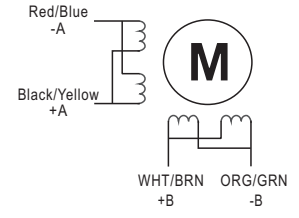
6 leads



4 leads



4 leads





□110mm Series YAKO 2-phases hybrid stepping motor



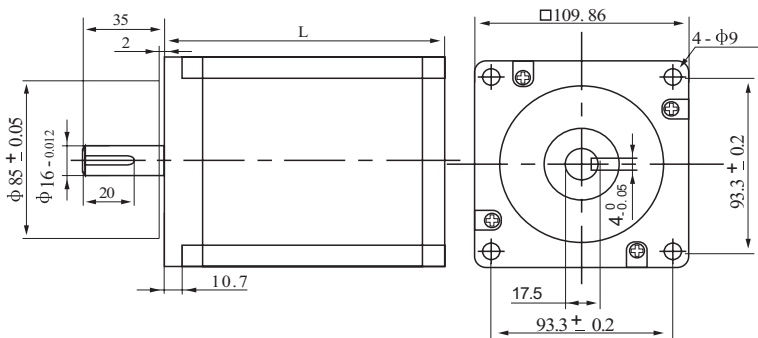
General specifications

Step angle accuracy:	5%
Temperature:	80 C Max
Ambient Temperature:	-20 C-+50 C
Insulation Resistance:	100M Ω Min 500VDC
Voltage endurance:	500V AC 1minute
Shaft Radial Play:	Max0.06mm(450g)
Shaft Axial Play:	Max0.08mm (450g)

Specifications

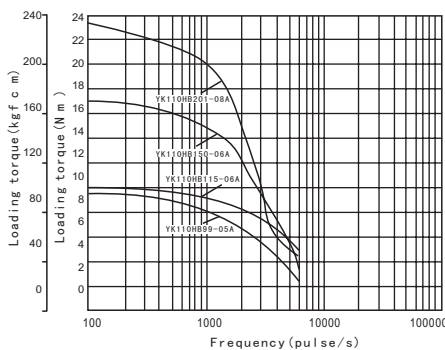
Model	Step Angle (°)	Length L(mm)	Holding Torque (N.m)	Current (A/phase)	Resistance (Ω)	Inductance (mH)	Roter inertia (g.cm ²)	Weight (kg)	Motor Leads
YK110HB99-05A	1.8	99	11.2	5.5	0.9	12	5500	5.0	4
YK110HB115-06A		115	12	6.0	0.44	4.9	7200	6.0	4
YK110HB150-06A		150	21	6.5	0.8	15	10900	8.4	4
YK110HB201-08A		201	28	8.0	0.67	12	16200	12	4

Dimension

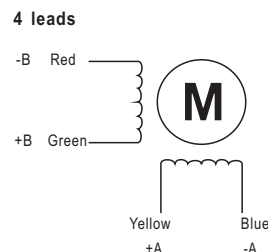


Item	Shaft Length	Parallel Slide
YK110HB99-05A	16mm	4x4x20mm
YK110HB115-06A	16mm	4x4x20mm
YK110HB150-06A	16mm	4x4x20mm
YK110HB201-08A	16mm	4x4x20mm

Frequency-torque characteristics



Connections



□130mm Series YAKO 2-phases hybrid stepping motor



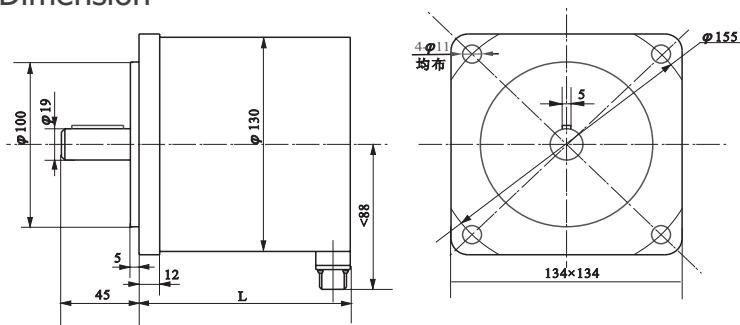
General specifications

Step angle accuracy:	5%
Temperature:	80 C Max
Ambient Temperature:	-20 C-+50 C
Insulation Resistance:	100M Ω Min 500VDC
Voltage endurance:	500V AC 1minute
Shaft Radial Play:	Max0.06mm(450g)
Shaft Axial Play:	Max0.08mm (450g)

Specifications

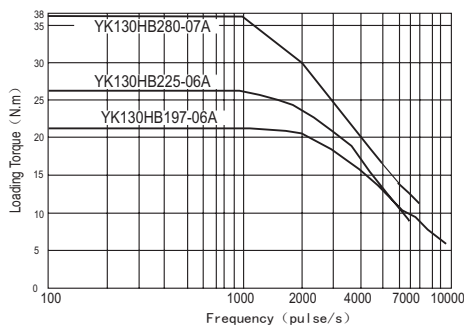
Model	Step Angle (°)	Length L(mm)	Holding Torque (N.m)	Current (A/phase)	Resistance (Ω)	Inductance (mH)	Roter inertia (g.cm ²)	Weight (kg)	Motor Leads
YK130HB197-06A	1.8	197	22	6.0	0.75	14	30000	11	Five-connector plug
YK130HB225-06A		225	27	6.0	0.77	14	35000	13	Five-connector plug
YK130HB280-07A		280	37	7.0	0.64	11	45500	16	Five-connector plug

Dimension



Item	Shaft Length	Parallel slide
YK130HB197-06A	19mm	6x6x30mm
YK130HB225-06A	19mm	6x6x30mm
YK130HB280-06A	19mm	6x6x30mm

Frequency-torque characteristics



Connections

Phase	A+	A-	B+	B-	GND	Remark
Item	1	2	3	4	5	Five-connector plug