

**SWITCH BOXES FOR VALVE AUTOMATION SYSTEMS**

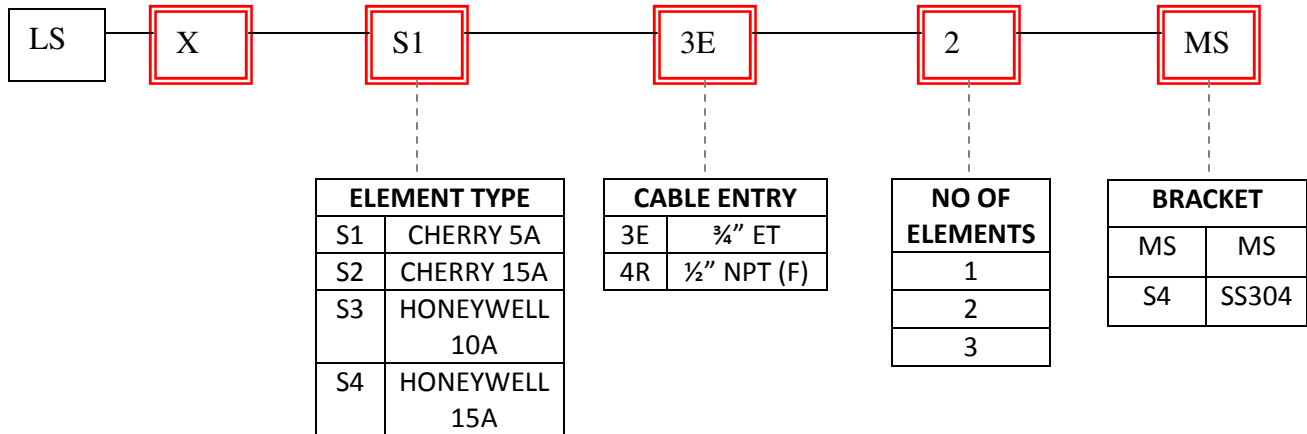
**FLAMEPROOF**

**FEATURES**

- ✓ Aluminium Diecast, powder coated for superior corrosion resistance.
- ✓ Colour coded cam for easy settings.
- ✓ Polycarbonate Dome.
- ✓ Serrated cams locked together ensures adjusted settings secured against any vibration.
- ✓ Dual Cable Entry – 3/4" ET, 1/2" NPT
- ✓ Special PCB eliminates all wiring from the switch element to the terminals.
- ✓ All fasteners in Stainless Steel.
- ✓ Waterproof to IP67
- ✓ Flameproof to Gas groups I, IIA and IIB certified by CMRI.

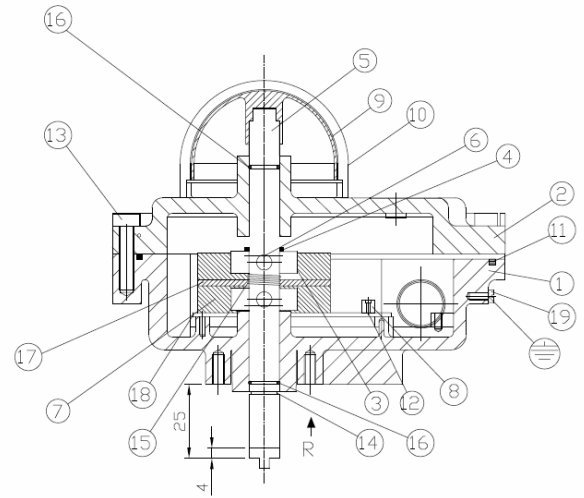


**ORDERING CODE**

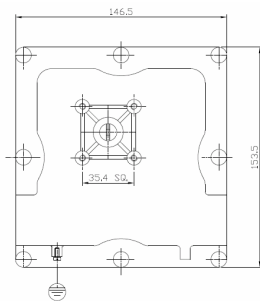
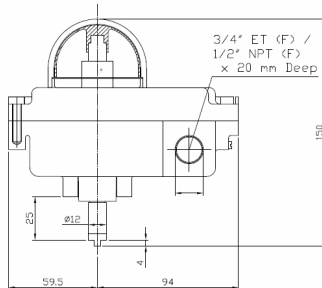


**TECHNICAL DETAILS**

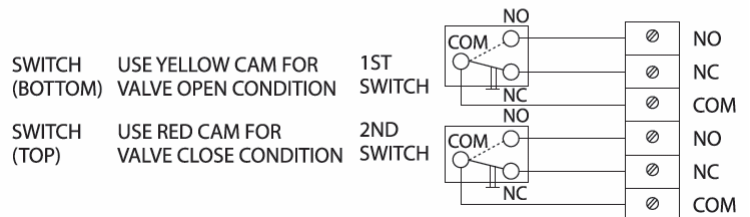
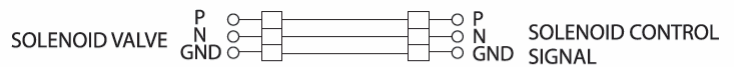
19	SCREW FOR EARTHING	2	SS 304
18	CIRCUIT DIAGRAM	1	-
17	PAD	1	POLYMER / COMPOSITE
16	SHAFT SEALING 'O' RING	2	NEOPRENE
15	SPRING	1	SS 302
14	'E' TYPE CIRCLIP	1	S.P. STEEL
13	SCREW FOR COVER	8	SS 304
12	CONNECTOR STRIP- 6 WAY	1	POLYMER / COMPOSITE
11	GASKET	1	NEOPRENE
10	INDICATOR COVER	1	POLYCARBONATE
9	INDICATOR	1	POLYMER
8	SCREW FOR CONN. STRIP	2	SS 304
7	MICROSWITCH (SPDT)	2	CHERRY MAKE
6	SPRING DOWEL	2	S.P. STEEL
5	SHAFT	1	SS 410
4	CAM- LOCK	2	POLYMER / COMPOSITE
3	CAM	2	POLYMER / COMPOSITE
2	COVER	1	Al. (LM-6)
1	HOUSING	1	Al. (LM-6)
<b>NO.</b>	<b>DESCRIPTION</b>	<b>QTY.</b>	<b>MATERIAL</b>



**DIMENSIONS**



**WIRING**



**OUR OTHER PRODUCTS...**



Works & Sales office:

**FLUIDTECQ PNEUMATICS PVT. LTD.**

W-97, M.I.D.C., Anand Nagar, Additional Ambarnath, Ambarnath (E). Pin: 421 506 Dist: Thane, Maharashtra, INDIA

Tel: +91 – 251 – 2620491 / 2620007. Fax: +91 – 251 – 2620491

Email: sales@fluidtecq.com