

HYDROTEK ENGINEERS & CONTRACTORS, GHAZIABAD

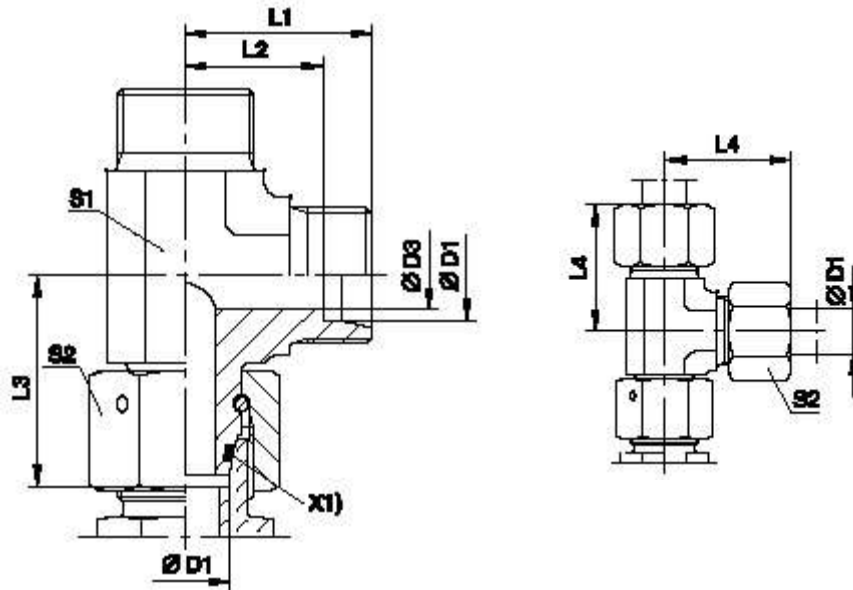
EVL – SWIVEL RUN TEE

& EVL-R – SWIVEL RUN TEE CONNECTOR

24° CONE END

AVAILABLE IN CARBON STEEL & STAINLESS STEEL.

ALSO AVAILABLE UNEQUAL TEE ON REQUEST.



SERIES	DIN2353 SPEC.	G-MALE BSP THREAD FOR EVT-R	D1	D3	L1	L2	L3	L4	S1	S2
L	EVL06L	G 1/8"	06	4.0	19	12.0	26	27	12	14
	EVL08L	G 1/4"	08	6.0	21	14.0	27.5	29	12	17
	EVL10L	G 1/4"	10	8.0	22	15.0	29	30	14	19
	EVL12L	G 3/8"	12	10.0	24	17.0	29.5	32	17	22
	EVL15L	G 1/2"	15	12.0	28	21.0	32.5	36	19	27
	EVL18L	G 1/2"	18	15.0	31	23.5	35.5	40	24	32
	EVL22L	G 3/4"	22	19.0	35	27.5	38.5	44	27	36
	EVL28L	G 1"	28	24.0	38	30.5	41.5	47	36	41
	EVL35L	G 1.1/4"	35	30.0	45	34.5	51	56	41	50
EVL42L	G 1.1/2"	42	36.0	51	40.0	56	63	50	60	
S	EVL06S	G 1/4"	06	4.0	23	16.0	27	31	12	17
	EVL08S	G 1/4"	08	5.0	24	17.0	27.5	32	14	19
	EVL10S	G 3/8"	10	6.0	25	17.5	30	34	17	22
	EVL12S	G 3/8"	12	8.0	29	21.5	31	38	17	24
	EVL14S	G 1/2"	14	10.0	30	22.0	35	40	19	27
	EVL16S	G 1/2"	16	12.0	33	24.5	36.5	43	24	30
	EVL20S	G 3/4"	20	16.0	37	26.5	44.5	48	27	36
	EVL25S	G 1"	25	20.0	42	30.0	50	54	36	46
	EVL30S	G 1.1/4"	30	25.0	49	35.5	55	62	41	50
EVL38S	G 1.1/2"	38	32.0	57	41.0	63	72	50	60	