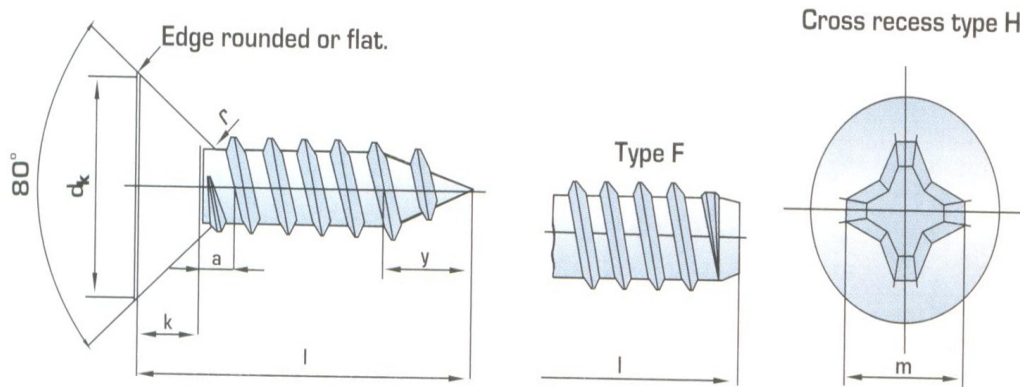


DIN 7982 / ISO 7050

Cross Recessed Countersunk Head Tapping



Thread size d	ST 2.2	ST 2.9	ST 3.5	ST 4.2	ST 4.8	ST 5.5	ST 6.3
No	#4	#5	#6	#8	#10	#12	#14
Pitch	0.8	1.1	1.3	1.4	1.6	1.8	1.8
d _t	max	4.3	5.5	6.8	8.1	9.5	10.8
	min	4	5.2	6.44	7.74	9.14	10.37
k	1.3	1.7	2.1	2.5	3	3.4	3.8
Cross recess No.	1		2				3
M [~]	2.5	3	4.2	4.7	5.1	6.8	7.1
Penetration min	1.02	1.4	1.62	2.11	2.59	2.95	3.33
Type H depth max	1.32	1.7	2.12	2.62	3.1	3.53	3.91

* All Dimensions in mm