

Building Automation– IBMS

- *Building management system*
- *Energy management system*
- *Energy efficiency solution*
- *Video surveillance system*
- *Access control system*
- *Fire detection and alarm system*
- *Home and office automation system*
- *DG Synchronization system*



GE
Intelligent Platforms



Control Electric Co. Pvt. Ltd.
A-80, Sector 80, Phase-II, Noida-201305 : Mob.No:09818689117
e-mail:sales@picpanel.com



 **LARSEN & TOUBRO**
It's all about Imagineering

Our IBMS Product Portfolio...

- ◎ DG Synchronization System
- ◎ Addressable Fire Alarm System
- ◎ CCTV System
- ◎ Access Control System
- ◎ Energy Management System
- ◎ Lighting Controls



GE
Intelligent Platforms



Control Electric Co. Pvt. Ltd.
A-80, Sector 80, Phase-II, Noida-201305 : Mob.No:09818689117
e-mail:sales@picpanel.com



We use BMS for...

- Effective System Monitoring
- Optimal Equipment Usage
- Comfort Environment
- Energy Conservation



GE
Intelligent Platforms



Control Electric Co. Pvt. Ltd.
A-80, Sector 80, Phase-II, Noida-201305 : Mob.No:09818689117
e-mail:sales@ptcpanel.com



 **LARSEN & TOUBRO**
It's all about Imagineering

- for BMS – System Architecture

Power Gear

1. Air Circuit Breaker
2. Molded Case Circuit Breaker

Building Automation Products

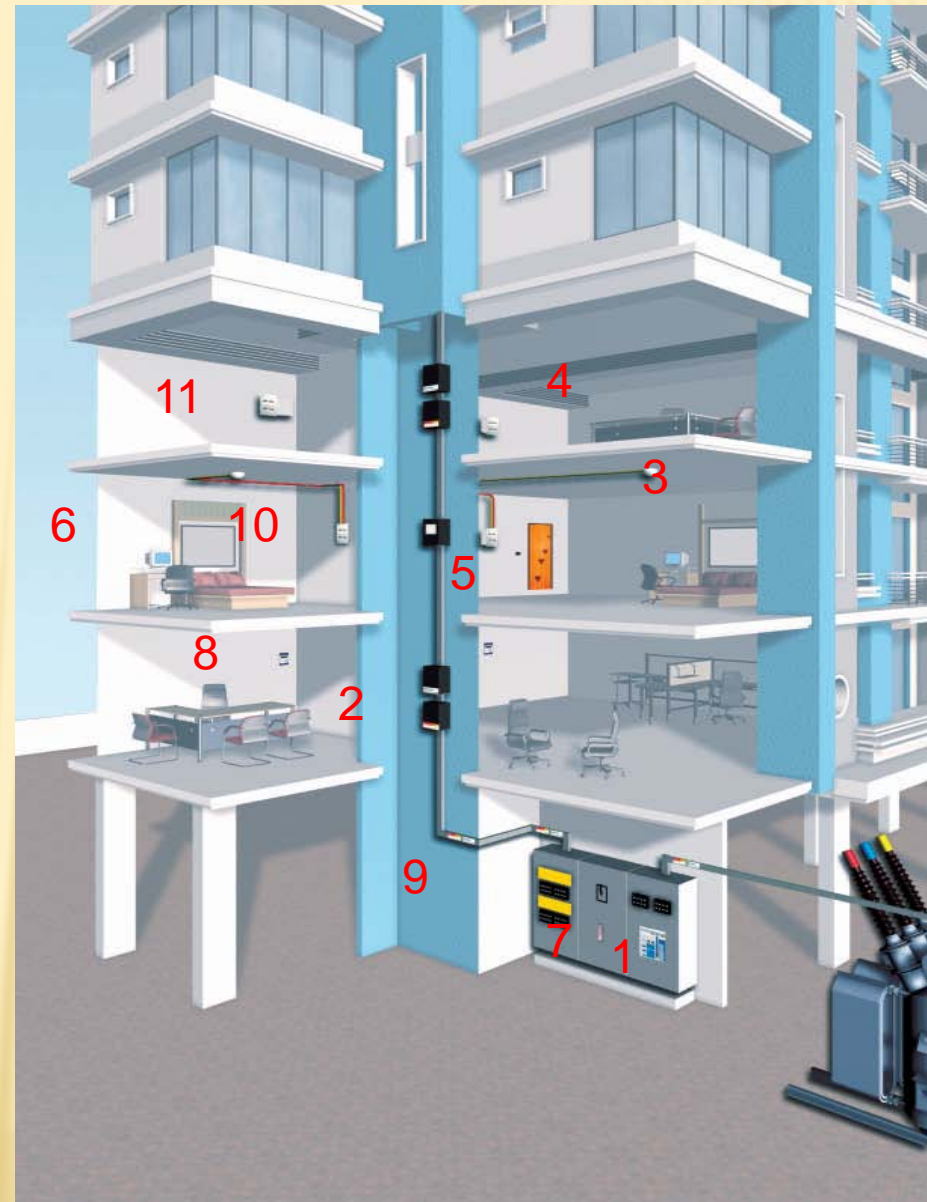
3. Tebis - Home Automation
4. Atmos - HVAC control
5. Login - Access control
6. Powerman - Energy Monitoring System

Energy & Metering

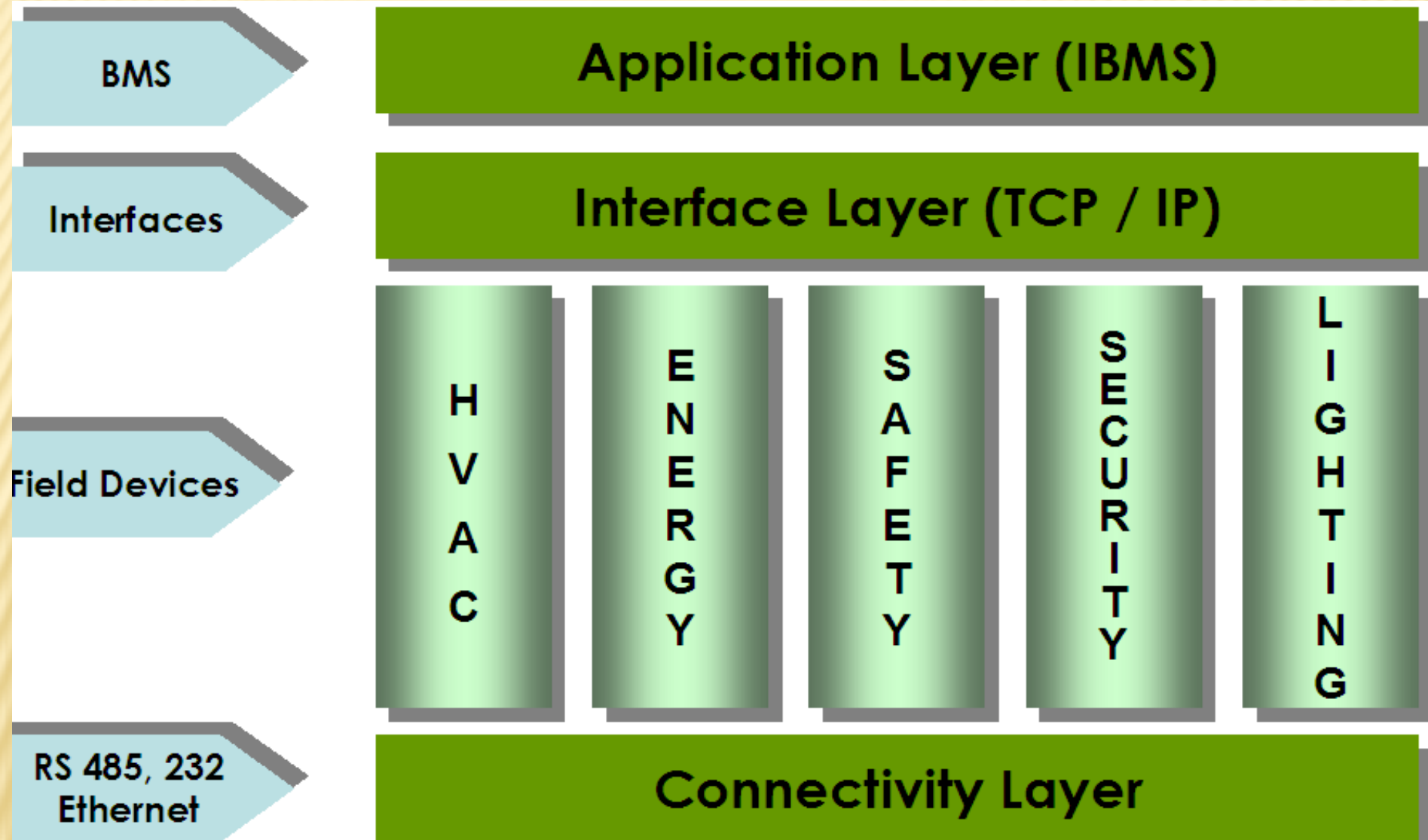
7. Capacitors
8. Energy Meters

Final Distribution Products

9. Busbar Trunking System
10. Wires
11. Modular Devices (MCB, ELCB, ELMCB, DB)



Architecture for Building Automation



Why us

- ✘ Strong & industry specific expert team
- ✘ Tie up with Globally renowned & trusted brands for various systems (L&T, GE, Redlion, DEIF)
- ✘ Single Basket Solution (IBMS, DG Synchronizing, Bus Duct Solutions etc.)



GE
Intelligent Platforms



Control Electric Co. Pvt. Ltd.
A-80, Sector 80, Phase-II, Noida-201305 : Mob.No:09818689117
e-mail:sales@picpanel.com

