

# ProSet® Power Rivet Tools

**POP® ProSet® power rivet tools set a new standard for pneumatic rivet tools. With lightweight polymer construction and a high force-to-weight ratio – POP® ProSet® rivet tools keep your production lines running at full speed while reducing user fatigue.**

## ProSet® 1600

**Great power in a reliable, lightweight and compact rivet tool**

- Capable of setting from 2.0mm to 5/32" (4.0mm) rivets
- Lightweight polymer construction 2.29 lb. (1.04kg)
- High force-to-weight ratio 476 lbf/lb. (4.6kN/kg)
- Comfortable two finger, low activation force trigger
- Quick Disconnect front-end assembly
- Energy saving On/Off, left or right swivel air fitting
- POP® Rivet Presenter Compatible





# ProSet<sup>®</sup> 2500

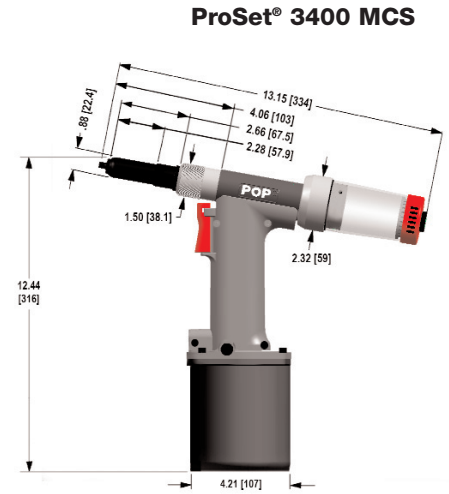
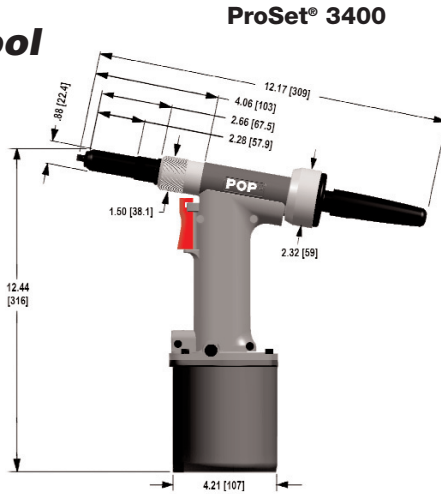
---

## The new standard for pneumatic rivet tools

- Capable of setting from 3/32" (2.4/3.0mm) Aluminum Rivets to 3/16" (4.8/5.0mm) Stainless Steel Rivets
- Lightweight polymer construction 2.89 lb. (1.31kg)
- High force-to-weight ratio 730 lbf/lb. (7.18kN/kg)
- Comfortable two finger, low activation force trigger
- Quick Disconnect front-end assembly
- Spring Return for a reliable fast setting cycle
- POP<sup>®</sup> Rivet Presenter and SmartSet<sup>®</sup> Rivet Monitor compatible

# POP<sup>®</sup>

## ProSet<sup>®</sup> 3400 Rivet Tool



### Specifications

Model Number	ProSet <sup>®</sup> 3400	ProSet <sup>®</sup> 3400MCS
Weight	4.19 lbs. (1.90 kg)	4.41 lbs. (2.00 kg)
Length	12.17" (309 mm)	13.15" (334 mm)
Height	12.44" (316 mm)	
Tool stroke	1.02" (26 mm)	
Pulling force	4,160 lbs @ 90 psi (18,500 N @ 6.2 bar)	
Force/Weight ratio	993 lbf/lb (9.7 kN/kg)	943 lbf/lb (9.2 kN/kg)
Air consumption	0.172 cu. ft./rivet (4.86 liters/rivet)	2.83 scfm (max) [80 liters/min (max)]

### Optional Accessories

Part Number	Description
FA203-408	MCS5000 Adaptor kit for 4, 5, 6 size rivets
FA203-414	MCS5000 Adaptor Kit for 8 Size Rivets
FAN276-075	ProSet <sup>®</sup> 3400 8" Front End Extension kit
FAN276-152	ProSet <sup>®</sup> 3400 Seal kit
FAN276-165	Mandrel Collection System Retrofit kit
PRH840-3400	PRH840 Corner Head Adaptor
PRH850-3400	PRH850 Corner Head Adaptor
RP4-501	RP4/ RP5 Receptacle
RP6-501	RP6 Receptacle



# POP<sup>®</sup>

## **MCS5800L Power Rivet Tool**

***Portable and Rechargeable  
Wherever You Need it!***

The POP<sup>®</sup> MCS5800L tool brings powerful blind rivet setting performance wherever it's needed. The new Lithium Ion 14.4V battery and high capacity battery pack have the endurance to set up to 1900 rivets and recharges in just an hour.

Supplied with a battery, battery charger and steel carry case, the MCS5800L is ideal for site and maintenance work if not on the production line. Blind rivets can be installed at assembly stations with no convenient power supply or alongside a moving line or where compressed air is not available.

This battery operated cordless tool is the perfect portable rivet setting tool for use anywhere.

### **Features & Benefits:**

- Tough and solid; built to withstand industrial conditions
- Easy to use, well balanced and comfortable Integral mandrel collector
- Instant return to start position after rivet setting, saving energy and increasing productivity